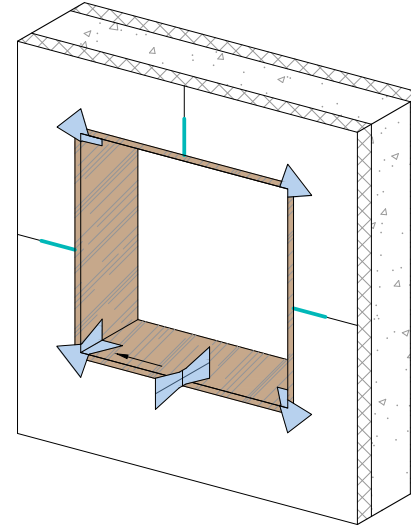


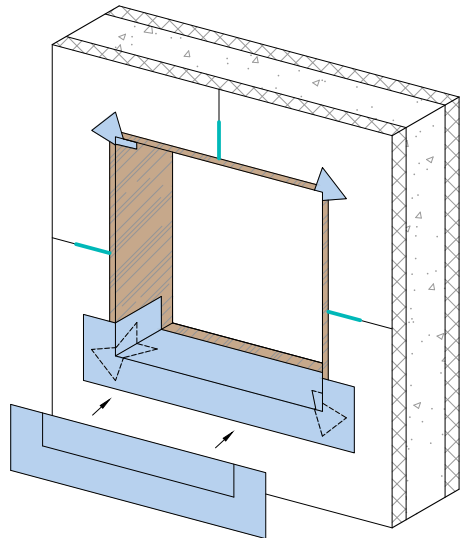
VERTICAL AND HORIZONTAL SEAMS MUST BE DETAILED WITH DYMONIC 100 FROM EDGE OF OPENING AND EXTEND BEYOND FLASHING MATERIALS BY 1" MINIMUM; VERTICAL SEAMS REQUIRE THE DYMONIC 100 TO GO BACK TO CONCRETE FACE AND FILL VERTICAL SEAM

ENGINEERED FRAMING SYSTEM BY PREBUCK LLC OR FUNCTIONAL EQUIVALENT

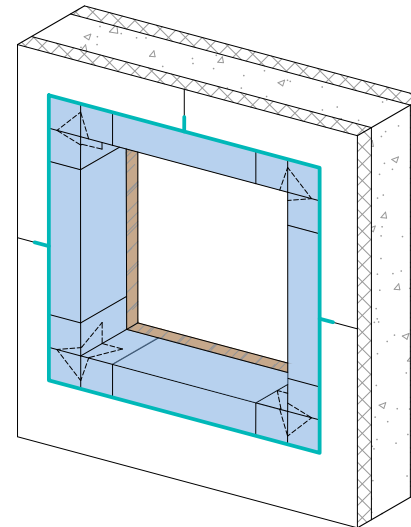
NUDURA STANDARD FORM UNIT



EXOAIR 110AT BOW TIES INSTALLED AT ROUGH OPENING CORNERS



APPLY EXOAIR 110AT 3" MIN INTO ROUGH OPENING AND EXTERIOR FACE OF WALL AT SILL, JAMBS, HEAD



APPLY DYMONIC 100 AROUND PERIMETER OF EXOAIR 110AT

The architecture, engineering, and design of the project using the Tremco, Nudura and Prebuck products are the responsibility of the project's design professional. All products and systems must comply with local building codes and standards. This detail is for general information and guidance only and Tremco, Nudura and Prebuck specifically disclaims any liability for the use of this detail. The project design professional determines, in its sole discretion, whether this detail or a functionally equivalent detail is best suited for the project. This detail is subject to change without notice. Contact Tremco, Nudura and Prebuck to ensure you have the most recent version.

**NOTE: ALL SEAMS WITH GAPS LARGER THAN  $\frac{1}{16}$ " MUST BE DETAILED WITH DYMONIC 100.**

**Light Commercial/Residential Details**

 Nudura Technical Support: 866-468-6299 International: +1 705-726-9499	Detail: Light Commercial/Residential Rough Opening - ExoAir 110AT Option			File Name:	RO-01	 Construction Products Group
	Drawn by: KAB	Checked by: KS/RW/JS/CB	Scale: NTS	Date: 3/3/2022		
<a href="http://www.tremcocpg.com">www.tremcocpg.com</a>						