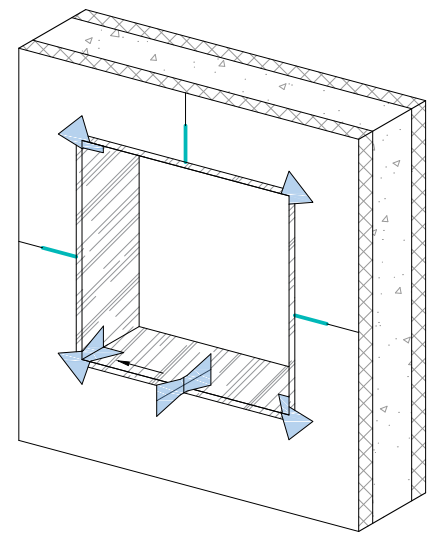
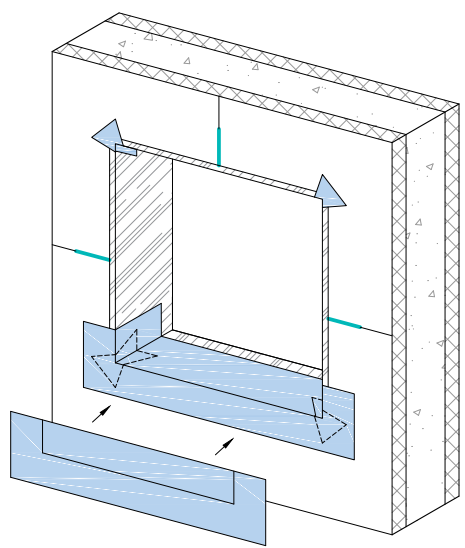


NUDURA STANDARD FORM UNIT

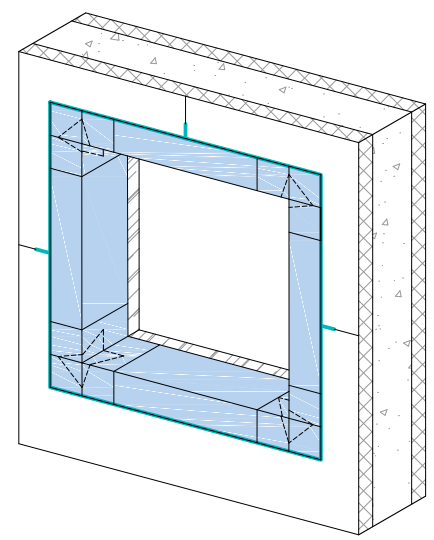
VERTICAL AND HORIZONTAL SEAMS MUST BE DETAILED WITH DYMONIC 100 FROM EDGE OF OPENING AND EXTEND BEYOND FLASHING MATERIALS BY 1" MINIMUM; VERTICAL SEAMS REQUIRE THE DYMONIC 100 TO GO BACK TO CONCRETE FACE AND FILL VERTICAL SEAM



EXOAIR 110AT BOW TIES INSTALLED AT ROUGH OPENING CORNERS



APPLY EXOAIR 110AT 3" MIN INTO ROUGH OPENING AND EXTERIOR FACE OF WALL AT SILL, JAMBS, HEAD



APPLY DYMONIC 100 AROUND PERIMETER OF EXOAIR 110AT



Project:		Detail: Light Commercial/Residential Rough Opening - ExoAir 110AT Option				File Name:	
This detail is intended for conceptual purposes only.		Drawn by: KAB	Checked by: KS/RW/JS/CB	Scale: NTS	Date: 12/1/2020		RO-01