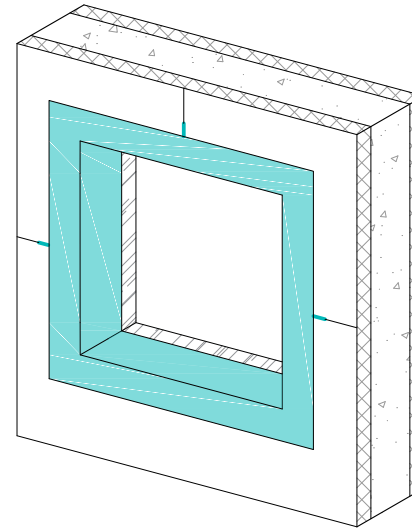
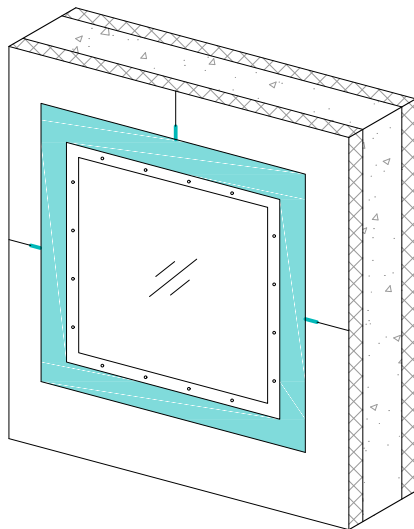


VERTICAL AND HORIZONTAL SEAMS MUST BE DETAILED WITH DYMONIC 100 FROM EDGE OF OPENING AND EXTEND BEYOND FLASHING MATERIALS BY 1" MINIMUM; VERTICAL SEAMS REQUIRE THE DYMONIC 100 TO GO BACK TO CONCRETE FACE AND FILL VERTICAL SEAM

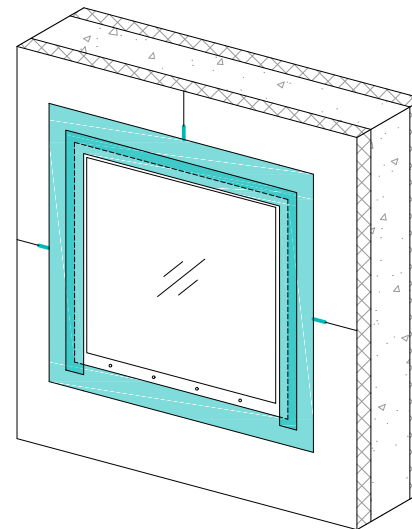
NUDURA STANDARD FORM UNIT



APPLY DYMONIC 100 3" MIN INTO ROUGH OPENING AND EXTERIOR FACE OF WALL AT SILL, JAMBS, HEAD



INSTALL NAIL FLANGE WINDOW, SET IN CONTINUOUS BEAD OF DYMONIC 100 EXCLUDING WINDOW SILLS



APPLY DYMONIC 100 OVER WINDOW FLANGE EXCLUDING WINDOW SILLS