

OPENING REINFORCEMENT
AS PER CODE OR AS
SPECIFIED

1/2" (13mm)
GYPSUM BOARD

1 1/2" (38mm)
MIN. COVER

NUDURA 6" (152mm)
STANDARD FORM UNIT

EXOAIR 110AT, DYMONIC
100 OR FUNCTIONAL
EQUIVALENT

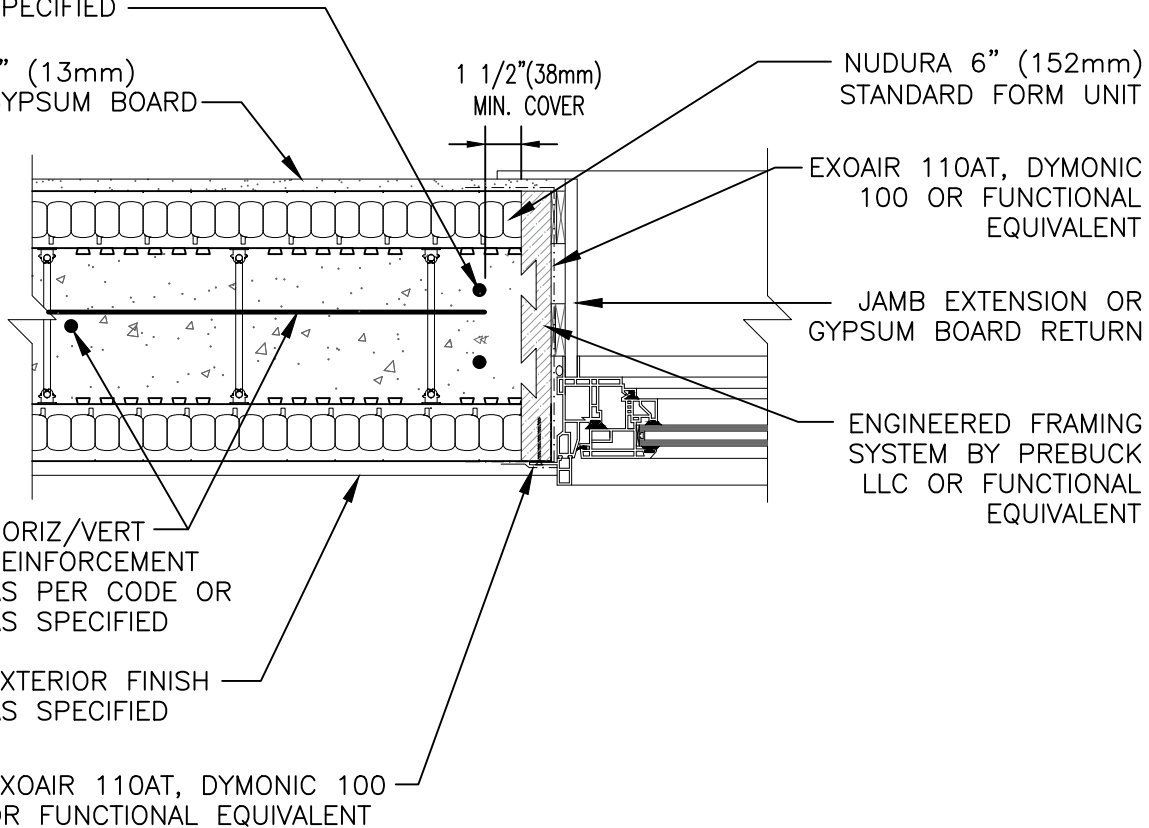
JAMB EXTENSION OR
GYPSUM BOARD RETURN

ENGINEERED FRAMING
SYSTEM BY PREBUCK
LLC OR FUNCTIONAL
EQUIVALENT

HORIZ/VERT
REINFORCEMENT
AS PER CODE OR
AS SPECIFIED

EXTERIOR FINISH
AS SPECIFIED

EXOAIR 110AT, DYMONIC 100
OR FUNCTIONAL EQUIVALENT



The architecture, engineering, and design of the project using the Nudura products are the responsibility of the project's design professional. All products and systems must comply with local building codes and standards. This detail is for general information and guidance only and Nudura specifically disclaims any liability for the use of this detail. The project design professional determines, in its sole discretion, whether this detail or a functionally equivalent detail is best suited for the project. This detail is subject to change without notice. Contact Nudura to ensure you have the most recent version.

Combustible Construction

Detail: Nudura 6" (152mm) Form Unit, Window Jamb Detail,
Exterior Finish as Specified, Partial Depth Wood Rough Buck

File Name:

Drawn by: KS

Scale: 1 : 8

Date: 5/16/2022

E6C05



Nudura Technical Support: 866-468-6299
International: +1 705-726-9499

tremcoapg.com



Construction Products Group