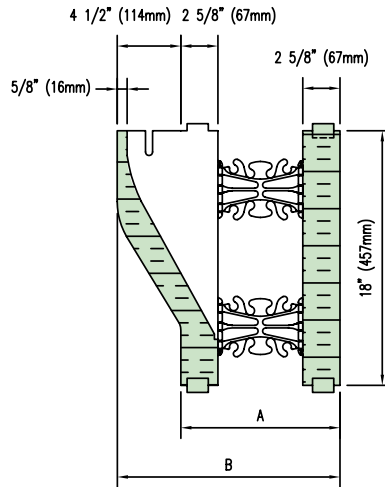
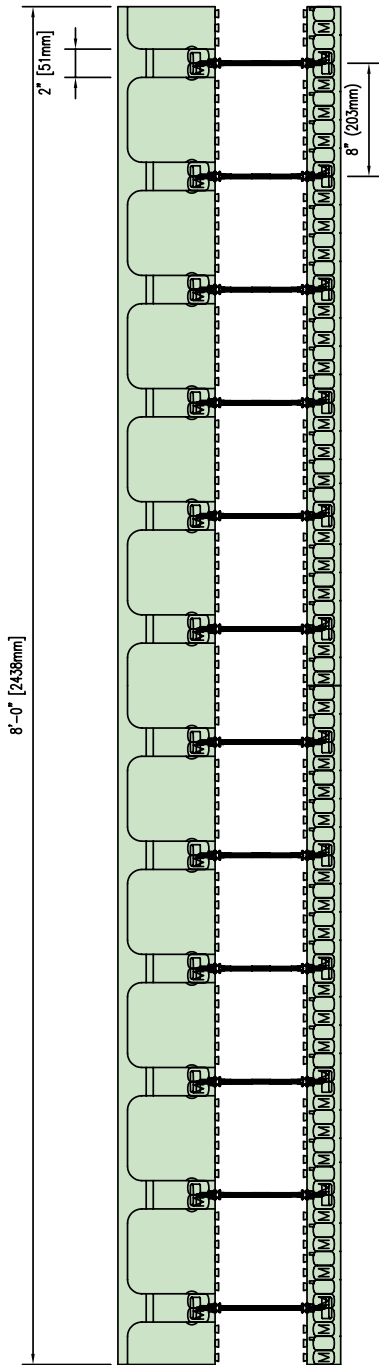


NUDURA FORM UNITS A-6



NOMINAL CONCRETE CORE	DIMENSION	
	A	B
4"(100mm)	9 1/4"(235mm)	13 3/4"(349mm)
6"(150mm)	11 1/4"(286mm)	15 3/4"(400mm)
8"(200mm)	13 1/4"(337mm)	17 3/4"(451mm)
10"(250mm)	15 1/4"(387mm)	19 3/4"(502mm)
12"(300mm)	17 1/4"(438mm)	21 3/4"(552mm)

Note: U.S. customers. The Brick Ledge may only be available in a 4' unit in your area until further notice.



BRICK LEDGE FORM UNITS PLAN & SECTION

REV. NO. 1	DWG NO. A-6
REV. DATE: MAY 2005	
DRAWN BY: J.N / N.L	SCALE: "Not to Scale"