

Optimizer



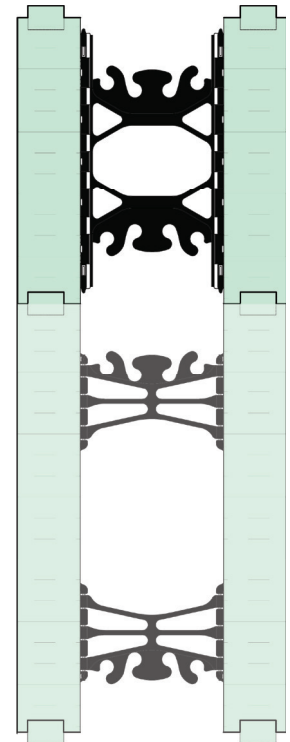
The Optimizer is the newest addition to the NUDURA ICF Series of Insulated Concrete Forms. NUDURA Insulated Concrete Forms provide energy efficient, cost-effective building envelope solutions serving the architectural, commercial and residential markets.

The Optimizer offers installers a variety of benefits to save time and money during installation. Designed to be used as a height adjuster at the top of the wall, the Optimizer allows installers the ability to meet 17 different stack heights from 4' (1219mm) to 12' (3658mm). The forms are available in NUDURA's standard core sizes of 6" (152mm) to 12" (305mm) giving users the freedom to use the Optimizer on any size job from commercial to residential. NUDURA installers can now achieve floor to floor heights at any 6" (152mm) height increment without sacrificing interlock capability of the forms by using the NUDURA Optimizer.

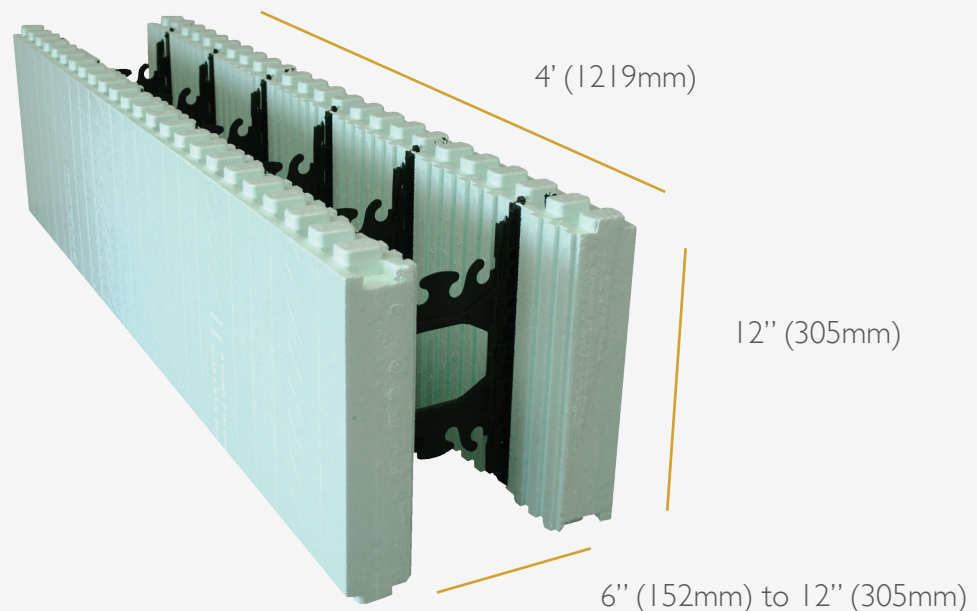
The Optimizer features all of the same innovations the NUDURA ICF Series is known for. DURALOK Technology[®] securely locks forms into place with a triple tooth interlock eliminating the need to wire or glue forms, resulting in reduced labor costs during installation. Once the forms are stacked together a continuous full height-fastening strip ensures the wall becomes one unit, making it the strongest in the industry.

The Optimizer is another key innovation brought to market by NUDURA that will give installers and designers another product to make installation easier and faster.

**Meet 17 different stack heights
between 4' to 12' (1.22m to 3.66m)
without cutting**

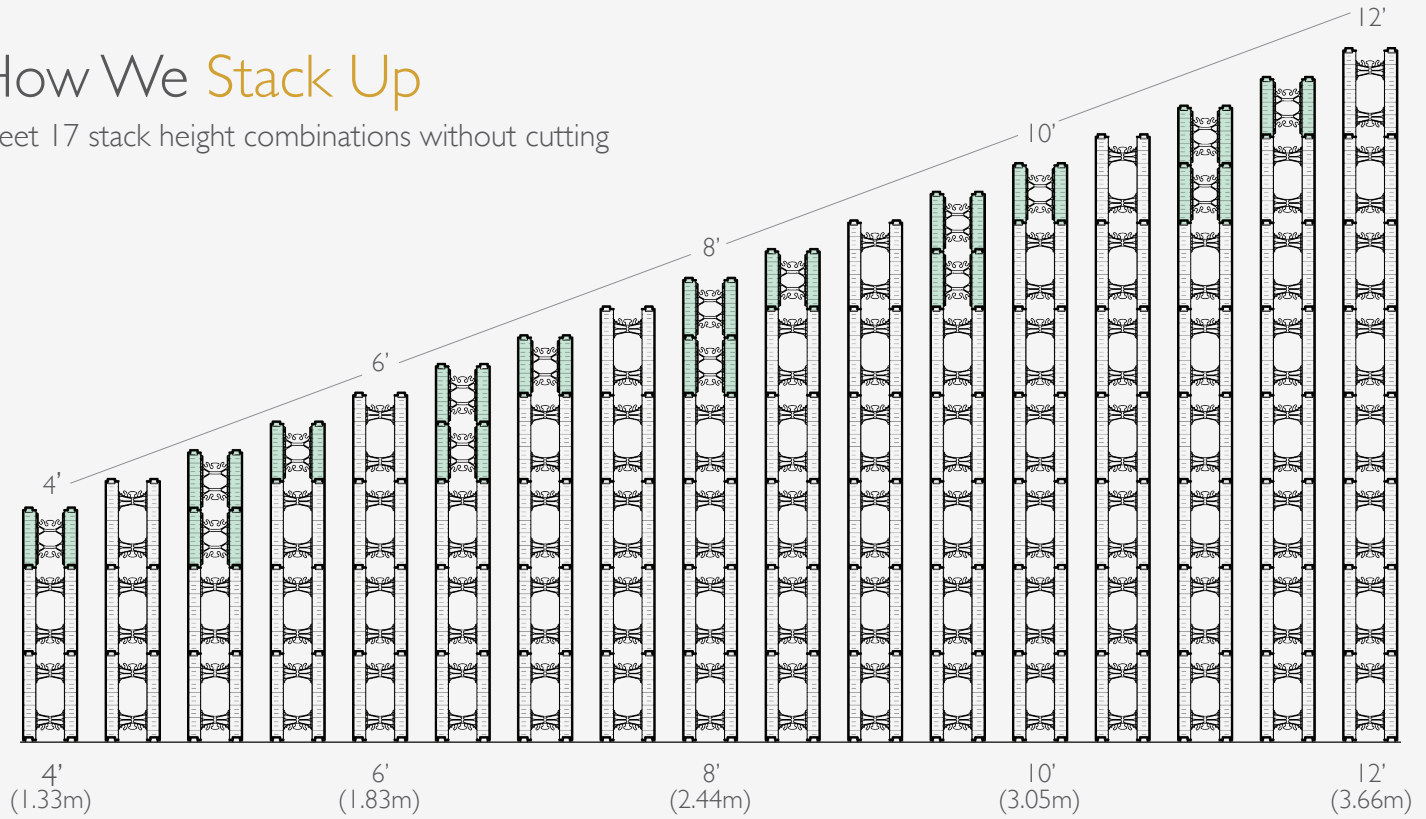


Optimizer dimensions



How We Stack Up

Meet 17 stack height combinations without cutting



Optimizer Wall Height Chart

Rows of 18" (457mm) High Forms	Row(s) of Optimizer	Height of Wall
4	2	8' (2.44m)
5	1	8'6" (2.59m)
6	0	9' (2.74m)
5	2	9'6" (2.94m)
6	1	10' (3.05m)
7	0	10'6" (3.20m)
6	2	11' (3.35m)
7	1	11'6" (3.51m)
8	0	12' (3.66m)

