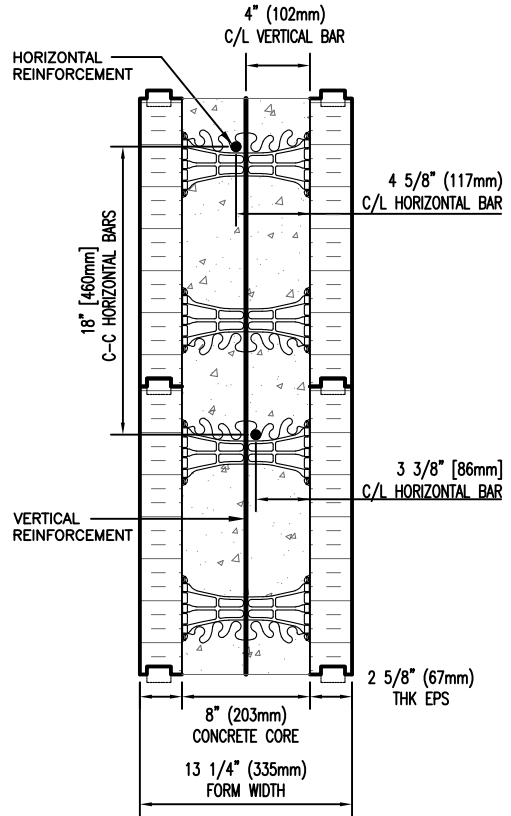


VERTICAL BARS  
OFF CENTER  
TYPICAL BELOW GRADE

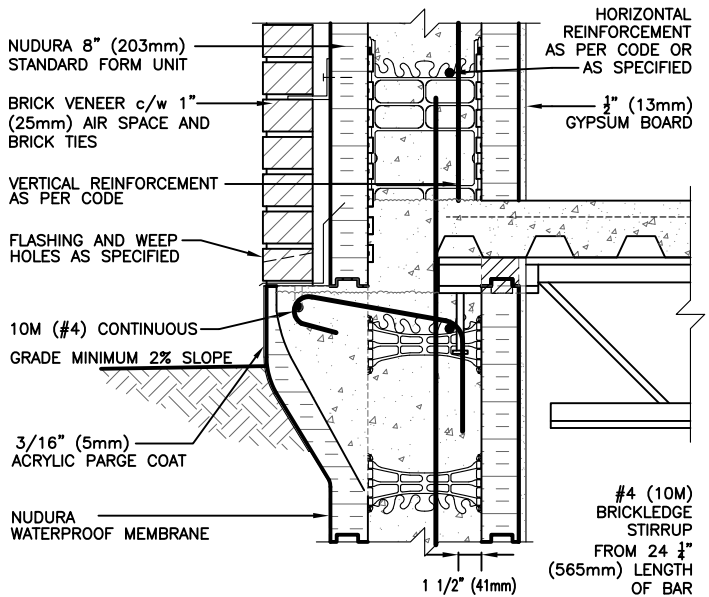
A8B01a



VERTICAL BARS  
AT CENTER  
TYPICAL ABOVE GRADE

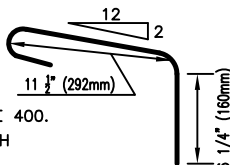
A8B01b

A8B02



**NOTES:**

1. MINIMUM CONCRETE COMPRESSIVE STRENGTH AT 28 DAYS 3000 PSI (20 MPa).
2. REINFORCING STEEL SHALL BE HARD GRADE DEFORMED BARS CONFORMING TO CSA G30.12 GRADE 400.
3. WALL REINFORCING SHALL BE IN ACCORDANCE WITH NUDURA INTEGRATED BUILDING SYSTEM, LOCAL CODE OR ENGINEERING DRAWINGS.
4. BRICK UNIT WEIGHT: 40LBS/FT (1.9 kPa) IN VERTICAL PLANE.
5. MAXIMUM BRICK VENEER TO BE: 27' (8.23m) UNLESS ENGINEERED OTHERWISE
6. ASSUME BRICK LAYING IN ACCORDANCE WITH APPLICABLE CODES.



A8B03

