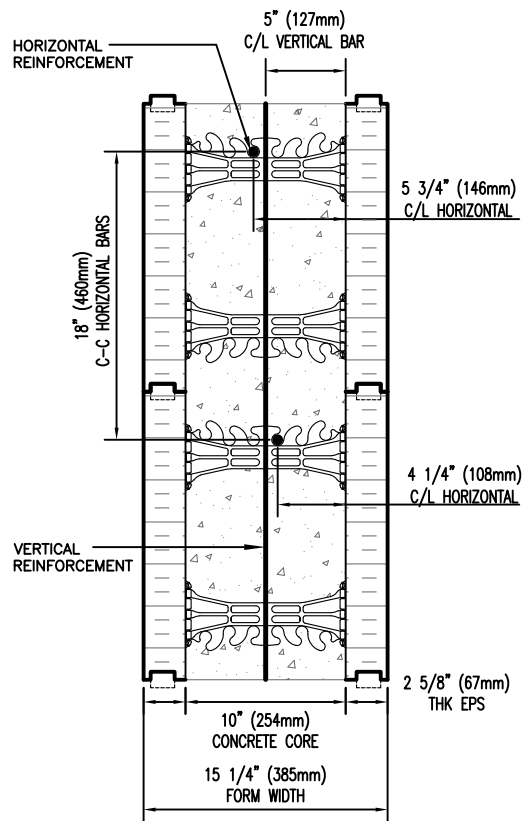


VERTICAL BARS
OFF CENTER
TYPICAL BELOW GRADE

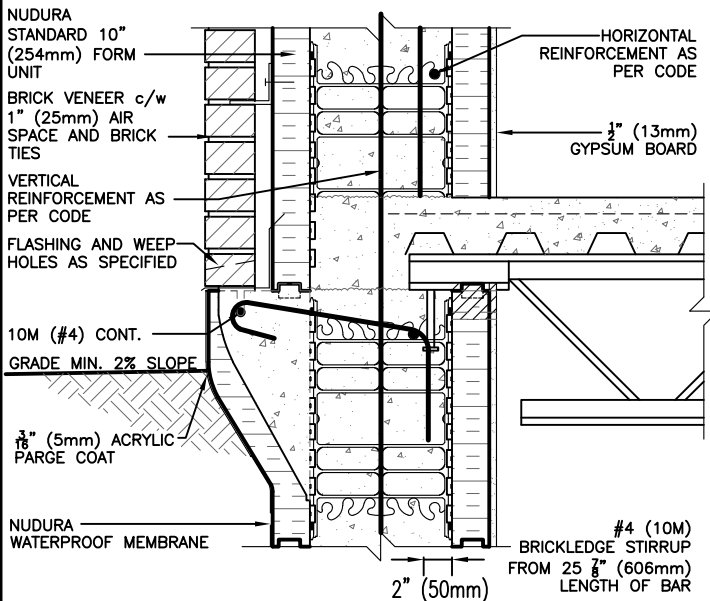
A10B01a



VERTICAL BARS
AT CENTER
TYPICAL ABOVE GRADE

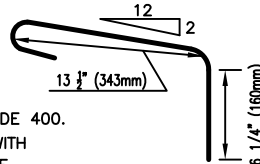
A10B01b

A10B02



NOTES:

1. MINIMUM CONCRETE COMPRESSIVE STRENGTH AT 28 DAYS 3000 PSI (20 MPa).
2. REINFORCING STEEL SHALL BE HARD GRADE DEFORMED BARS CONFORMING TO CSA G30.12 GRADE 400.
3. WALL REINFORCING SHALL BE IN ACCORDANCE WITH NUDURA INTEGRATED BUILDING SYSTEM, LOCAL CODE OR ENGINEERING DRAWINGS.
4. BRICK UNIT WEIGHT: 40LBS/FT (1.9 KPa) IN VERTICAL PLANE.
5. MAXIMUM WALL HEIGHT: 27' (8.23m) UNLESS ENGINEERED OTHERWISE
6. ASSUME BRICK LAYING IN ACCORDANCE WITH APPLICABLE CODES.



A10B03

