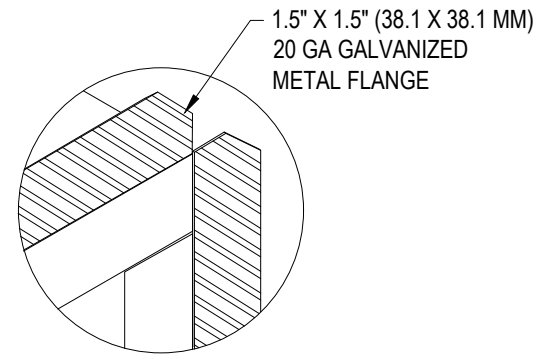
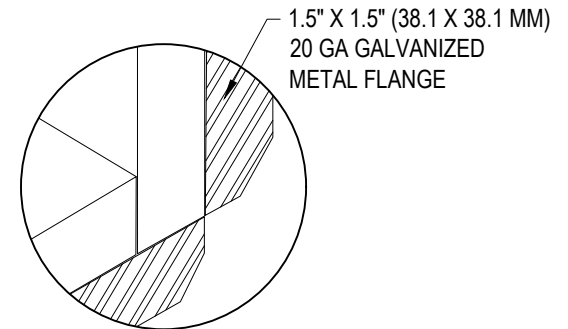


ISOMETRIC



HEAD JOINT DETAIL



SILL JOINT DETAIL

*The architecture, engineering, and design of the project using the Prebuck products are the responsibility of the project's design professional. All products and systems must comply with local building codes and standards. This detail is for general information and guidance only and Prebuck specifically disclaims any liability for the use of this detail. The project design professional determines, in its sole discretion, whether this detail or a functionally equivalent detail is best suited for the project. This detail is subject to change without notice. Contact Prebuck to ensure you have the most recent version.*

**Components**



Prebuck Technical Support: 616-309-6256

Detail: Treated LSL Integrated Metal Flange Details and Window Assembly

Drawn by: HDE

Checked by: BC

Scale: NTS

Date: 1/31/2022

File Name:

PB-C-FW



Construction Products Group

[www.tremcocpg.com](http://www.tremcocpg.com)