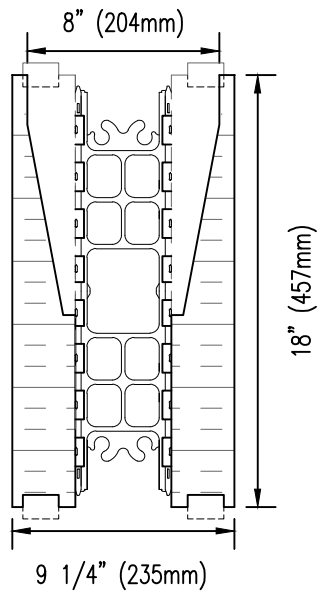
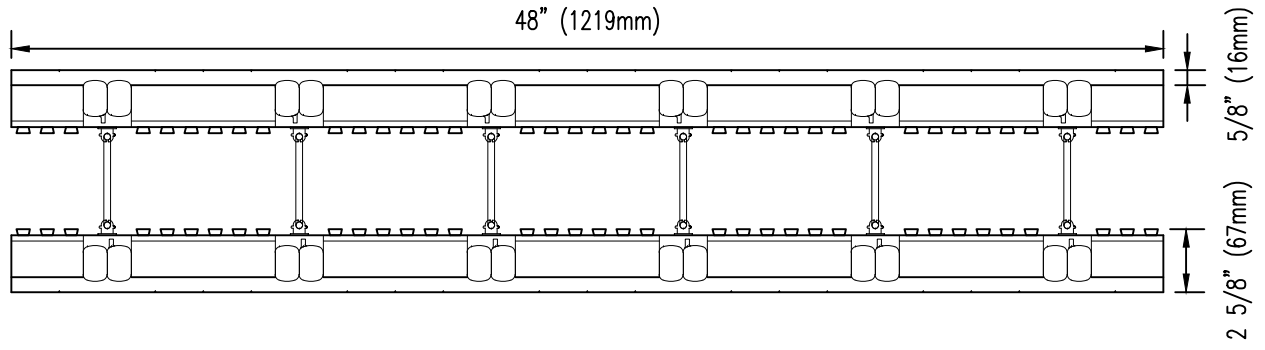



NOTE: PRODUCT LENGTH  
 SUBJECT TO REGIONAL  
 AVAILABILITY IN 4' (1219mm)  
 OR 8' (2438mm) LENGTHS



**DISCLAIMER NOTICE:**  
 SPECIFIC INFORMATION  
 REQUIRED FOR COMPLIANCE  
 WITH LOCAL CODES IS THE  
 RESPONSIBILITY OF THE  
 DESIGNER

*The architecture, engineering, and design of the project using the Nudura products are the responsibility of the project's design professional. All products and systems must comply with local building codes and standards. This detail is for general information and guidance only and Nudura specifically disclaims any liability for the use of this detail. The project design professional determines, in its sole discretion, whether this detail or a functionally equivalent detail is best suited for the project. This detail is subject to change without notice. Contact Nudura to ensure you have the most recent version.*

**Form Unit Profiles**

 Nudura Technical Support: 866-468-6299 International: +1 705-726-9499	Detail: Nudura 4" (102mm) Two Sided Taper Top Form Unit			File Name:	 Construction Products Group
	Drawn by: T.V	Scale: 1 : 8	Date: 12/1/2021	A4A05	
tremcocpg.com					