

NUDURA 10" (254mm)
STANDARD FORM UNIT

HORIZ/VERT
REINFORCEMENT AS PER
CODE OR AS SPECIFIED

WET SET DOWELS FIELD
BENT INTO SLAB AS
SPECIFIED

WET SET DOWELS TO
MATCH VERTICAL
REINFORCEMENT
BETWEEN POUR OR AS
SPECIFIED

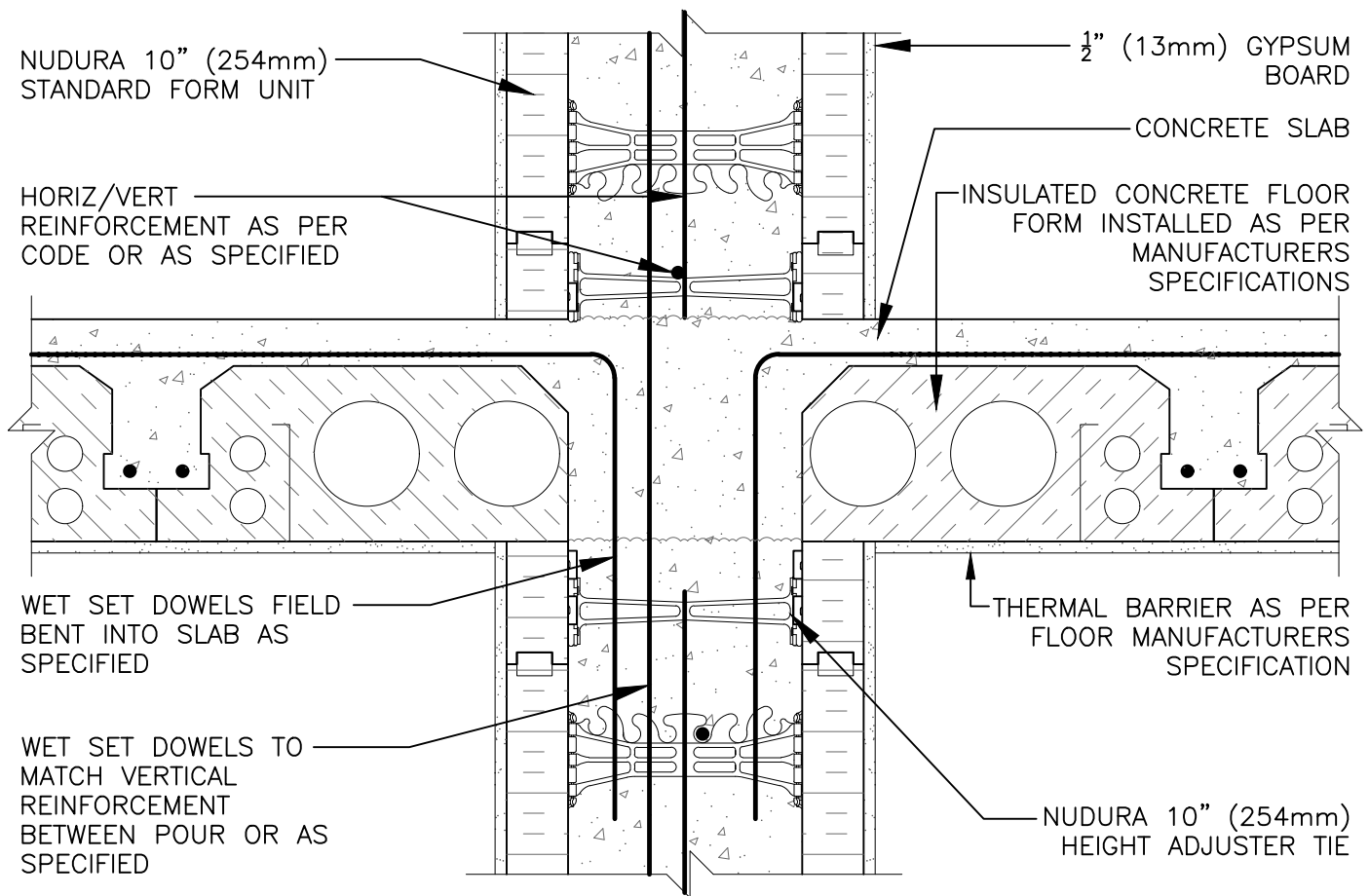
1/2" (13mm) GYPSUM
BOARD

CONCRETE SLAB

INSULATED CONCRETE FLOOR
FORM INSTALLED AS PER
MANUFACTURERS
SPECIFICATIONS

THERMAL BARRIER AS PER
FLOOR MANUFACTURERS
SPECIFICATION

NUDURA 10" (254mm)
HEIGHT ADJUSTER TIE



The architecture, engineering, and design of the project using the Nudura products are the responsibility of the project's design professional. All products and systems must comply with local building codes and standards. This detail is for general information and guidance only and Nudura specifically disclaims any liability for the use of this detail. The project design professional determines, in its sole discretion, whether this detail or a functionally equivalent detail is best suited for the project. This detail is subject to change without notice. Contact Nudura to ensure you have the most recent version.

Non-Combustible Construction



| | | | |
|--|--------------|------------------|------------|
| Detail: Nudura 10" (254mm) Form Unit, ICFS Connection, ICFS Resting on Form, Non-Bearing Demising Wall | | | File Name: |
| Drawn by: KS | Scale: 1 : 8 | Date: 12/10/2021 | G10D02 |
| <small>tremcocpg.com</small> | | | |

