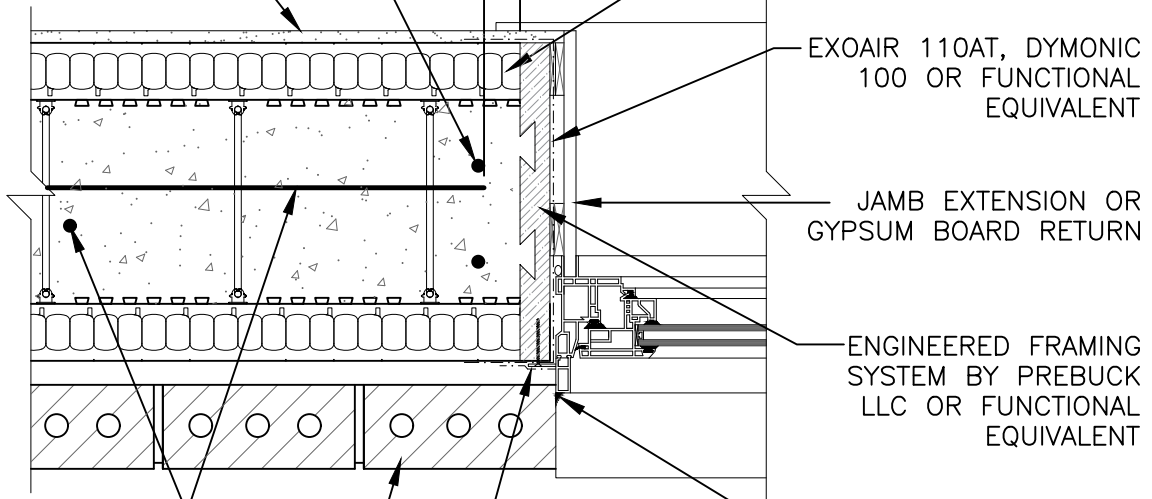


OPENING REINFORCEMENT  
AS PER CODE OR AS  
SPECIFIED

1/2" (13mm)  
GYPSUM BOARD

1 1/2" (38mm)  
MIN. COVER

NUDURA 8" (203mm)  
STANDARD FORM UNIT



EXOAIR 110AT, DYMONIC  
100 OR FUNCTIONAL  
EQUIVALENT

JAMB EXTENSION OR  
GYPSUM BOARD RETURN

ENGINEERED FRAMING  
SYSTEM BY PREBUCK  
LLC OR FUNCTIONAL  
EQUIVALENT

HORIZ/VERT  
REINFORCEMENT  
AS PER CODE OR  
AS SPECIFIED

CONTINUOUS CAULKING  
AROUND FRAME AT  
CONTACT TO MASONRY

BRICK VENEER c/w 1"  
(25mm) AIR SPACE AND  
BRICK TIES

EXOAIR 110AT, DYMONIC 100  
OR FUNCTIONAL EQUIVALENT

The architecture, engineering, and design of the project using the Nudura products are the responsibility of the project's design professional. All products and systems must comply with local building codes and standards. This detail is for general information and guidance only and Nudura specifically disclaims any liability for the use of this detail. The project design professional determines, in its sole discretion, whether this detail or a functionally equivalent detail is best suited for the project. This detail is subject to change without notice. Contact Nudura to ensure you have the most recent version.

**Combustible Construction**

Detail: Nudura 8" (203mm) Form Unit, Window Jamb Detail,  
Brick Veneer Finish, Partial Depth Wood Rough Buck

File Name:

Drawn by: KS

Scale: 1 : 8

Date: 6/1/2022

E8A05



Nudura Technical Support: 866-468-6299  
International: +1 705-726-9499



Construction Products Group

tremcocpg.com