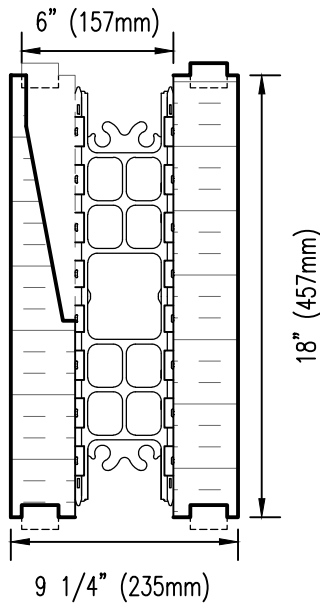
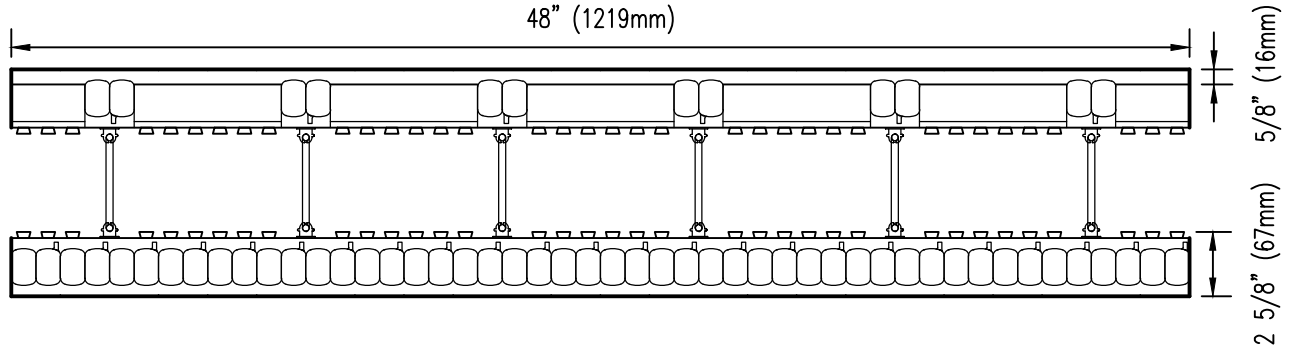


NOTE: PRODUCT LENGTH  
 SUBJECT TO REGIONAL  
 AVAILABILITY IN 4' (1219mm)  
 OR 8' (2438mm) LENGTHS



**DISCLAIMER NOTICE:**  
 SPECIFIC INFORMATION  
 REQUIRED FOR COMPLIANCE  
 WITH LOCAL CODES IS THE  
 RESPONSIBILITY OF THE  
 DESIGNER



**NUDURA**  
 INTEGRATED BUILDING TECHNOLOGY  
*Building Value.*

NUDURA 4" (102mm)  
 ONE SIDED TAPER TOP FORM UNIT

REV. NO. 002 KS	DWG NO. A4A04
REV. DATE: FEB 2016	
DRAWN BY: T. VAN CLIEAF	SCALE: 1 : 8