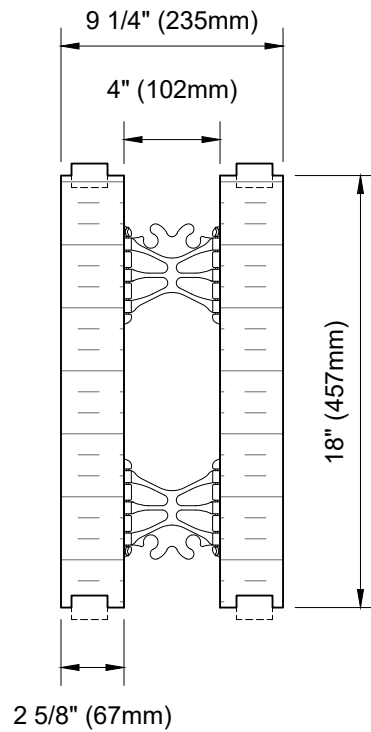


SCALE: 1:12



SCALE: 1:8

This detail is for general informational purposes only. The project design professional determines, in its sole discretion, whether this detail or a functionally equivalent detail is best suited for the project with respect to any architecture, engineering, and design requirements, including any local building code requirements. If this document is not reviewed and the product is not approved for use by a licensed design professional, the customer agrees that the detail may contain substantive flaws requiring correction, and hereby releases Tremco CPG Inc. from any and all liability related to the design and installation of the product. This detail is subject to change without notice. Contact Tremco to ensure you have the most recent version.

Standard Form Unit Profiles



Nudura Technical Support: 866-468-6299
International: +1 705-726-9499

Detail: Nudura 4" (102mm) Standard Form Unit

Drawn by: TVC

Checked by: KS

Scale: As Noted

Revision #: 04

Revised by: KAB

Date: 3/13/2024

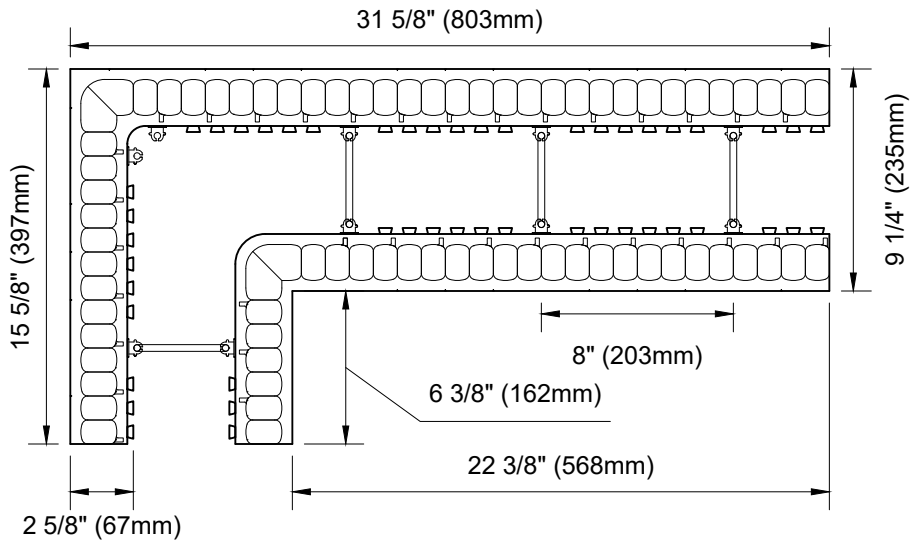
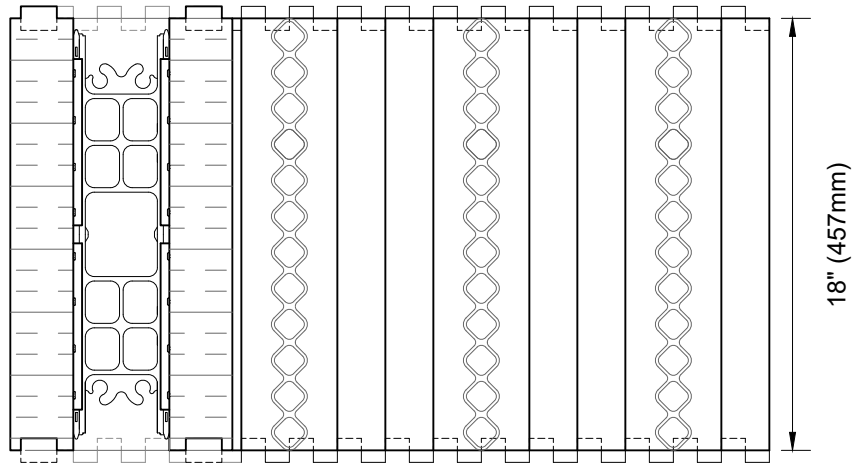
File Name:

A4A01



Construction Products Group

www.tremcocpg.com



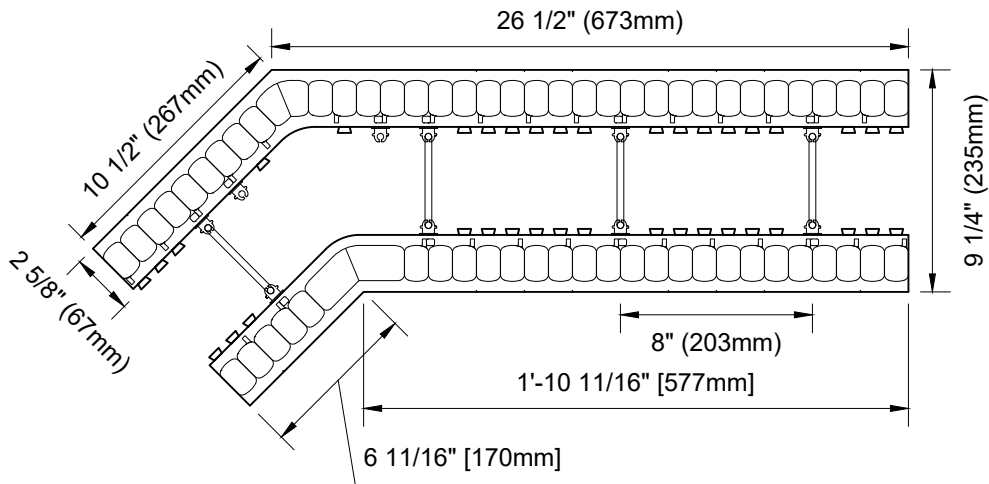
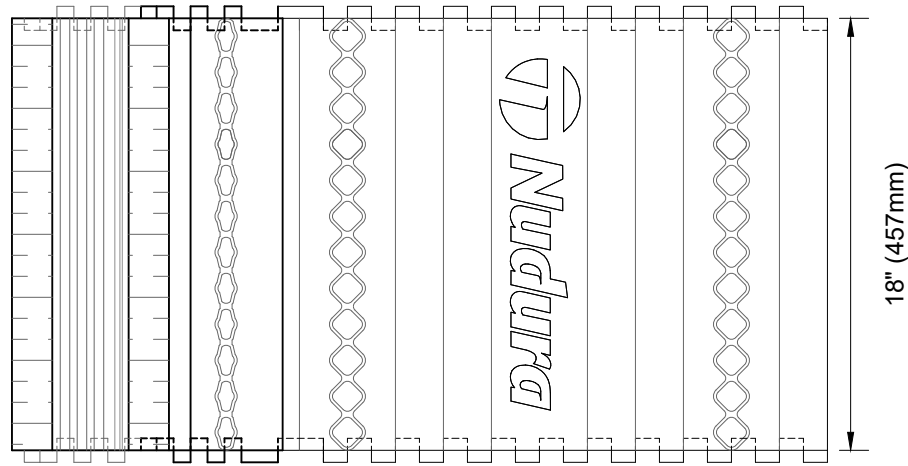
This detail is for general informational purposes only. The project design professional determines, in its sole discretion, whether this detail or a functionally equivalent detail is best suited for the project with respect to any architecture, engineering, and design requirements, including any local building code requirements. If this document is not reviewed and the product is not approved for use by a licensed design professional, the customer agrees that the detail may contain substantive flaws requiring correction, and hereby releases Tremco CPG Inc. from any and all liability related to the design and installation of the product. This detail is subject to change without notice. Contact Tremco to ensure you have the most recent version.

Standard Form Unit Profiles



Detail: Nudura 4" (102mm) 90° Corner Form Unit			File Name: A4A02
Drawn by: TVC	Checked by: KS	Scale: 1:8	
Revision #: 06	Revised by: KAB	Date: 3/13/2024	





This detail is for general informational purposes only. The project design professional determines, in its sole discretion, whether this detail or a functionally equivalent detail is best suited for the project with respect to any architecture, engineering, and design requirements, including any local building code requirements. If this document is not reviewed and the product is not approved for use by a licensed design professional, the customer agrees that the detail may contain substantive flaws requiring correction, and hereby releases Tremco CPG Inc. from any and all liability related to the design and installation of the product. This detail is subject to change without notice. Contact Tremco to ensure you have the most recent version.

Standard Form Unit Profiles



Detail: Nudura 4" (102mm) 45° Corner Form Unit

Drawn by: TVC

Checked by: KS

Scale: 1:8

Revision #: 03

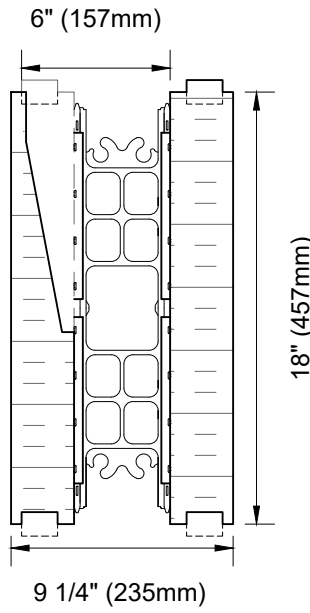
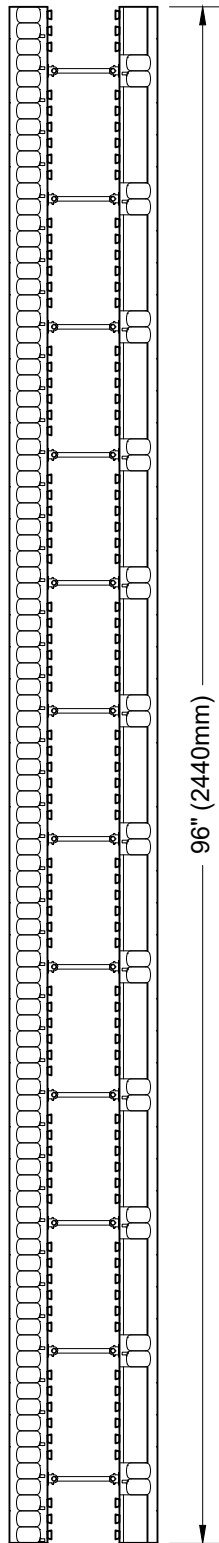
Revised by: KAB

Date: 3/13/2024

File Name:

A4A03





2 5/8" (67mm) 5/8" (16mm)

SCALE: 1:8

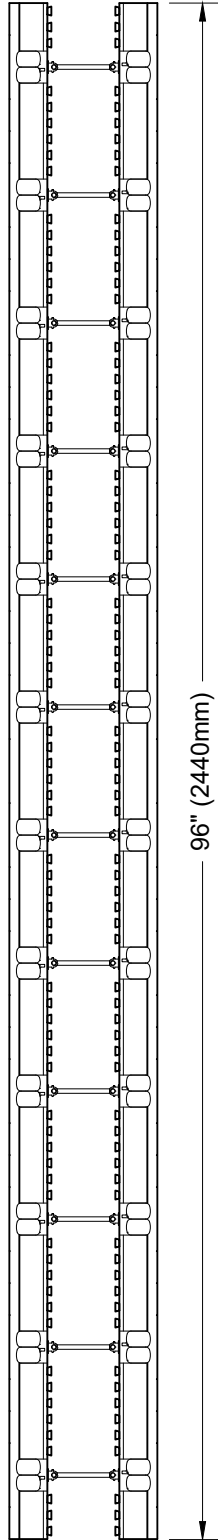
SCALE: 1:12

This detail is for general informational purposes only. The project design professional determines, in its sole discretion, whether this detail or a functionally equivalent detail is best suited for the project with respect to any architecture, engineering, and design requirements, including any local building code requirements. If this document is not reviewed and the product is not approved for use by a licensed design professional, the customer agrees that the detail may contain substantive flaws requiring correction, and hereby releases Tremco CPG Inc. from any and all liability related to the design and installation of the product. This detail is subject to change without notice. Contact Tremco to ensure you have the most recent version.

Standard Form Unit Profiles

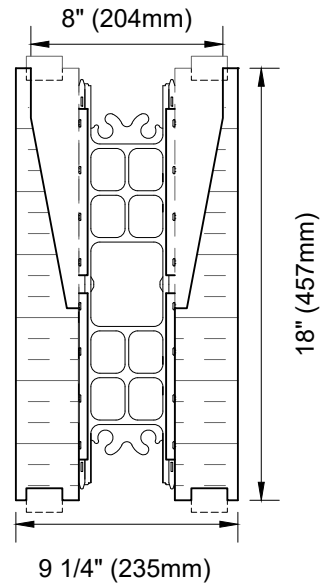
Detail: Nudura 4" (102mm) One Sided Taper Top Form Unit			File Name:
Drawn by: TVC	Checked by: KS	Scale: As Noted	A4A04
Revision #: 03	Revised by: KAB	Date: 3/13/2024	





2 5/8" (67mm) 5/8" (16mm)

SCALE: 1:12



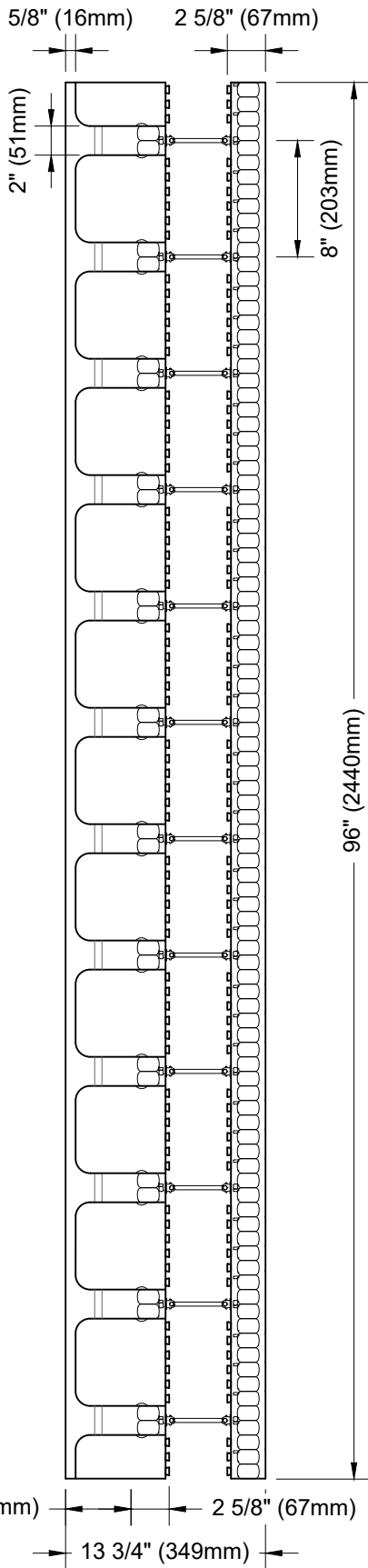
SCALE: 1:8

This detail is for general informational purposes only. The project design professional determines, in its sole discretion, whether this detail or a functionally equivalent detail is best suited for the project with respect to any architecture, engineering, and design requirements, including any local building code requirements. If this document is not reviewed and the product is not approved for use by a licensed design professional, the customer agrees that the detail may contain substantive flaws requiring correction, and hereby releases Tremco CPG Inc. from any and all liability related to the design and installation of the product. This detail is subject to change without notice. Contact Tremco to ensure you have the most recent version.

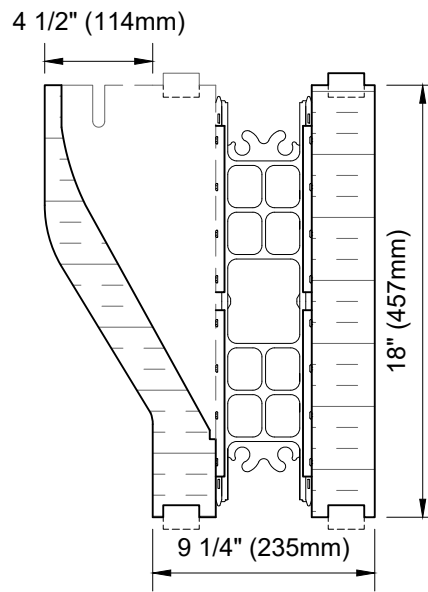
Standard Form Unit Profiles

Detail: Nudura 4" (102mm) Two Sided Taper Top Form Unit			File Name:
Drawn by: TVC	Checked by: KS	Scale: As Noted	A4A05
Revision #: 03	Revised by: KAB	Date: 3/13/2024	





SCALE: 1:12



SCALE: 1:8

This detail is for general informational purposes only. The project design professional determines, in its sole discretion, whether this detail or a functionally equivalent detail is best suited for the project with respect to any architecture, engineering, and design requirements, including any local building code requirements. If this document is not reviewed and the product is not approved for use by a licensed design professional, the customer agrees that the detail may contain substantive flaws requiring correction, and hereby releases Tremco CPG Inc. from any and all liability related to the design and installation of the product. This detail is subject to change without notice. Contact Tremco to ensure you have the most recent version.

Standard Form Unit Profiles



Nudura Technical Support: 866-468-6299
International: +1 705-726-9499

Detail: Nudura 4" (102mm) One Sided Brick Ledge Form Unit

Drawn by: TVC

Checked by: KS

Scale: As Noted

Revision #: 03

Revised by: KAB

Date: 3/13/2024

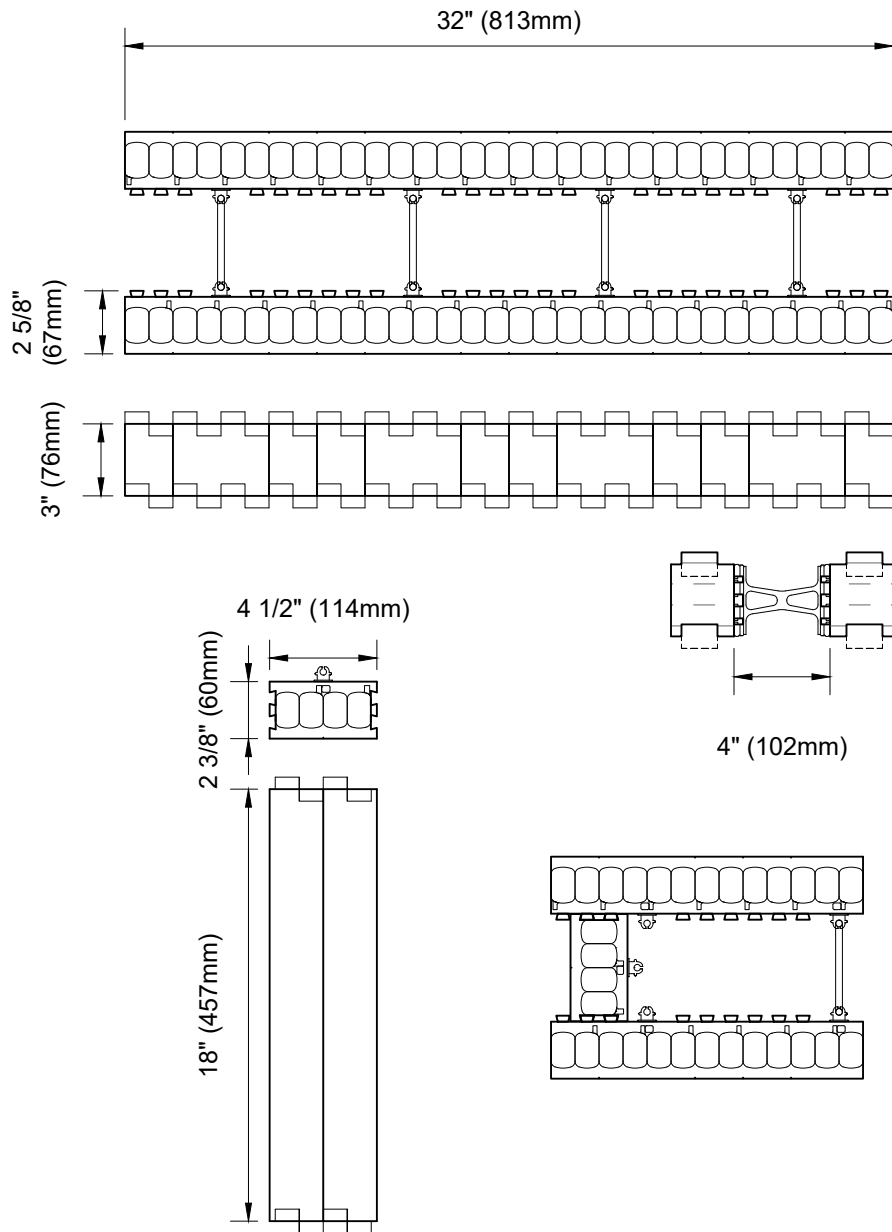
File Name:

A4A06



Construction Products Group

www.tremcocpg.com



This detail is for general informational purposes only. The project design professional determines, in its sole discretion, whether this detail or a functionally equivalent detail is best suited for the project with respect to any architecture, engineering, and design requirements, including any local building code requirements. If this document is not reviewed and the product is not approved for use by a licensed design professional, the customer agrees that the detail may contain substantive flaws requiring correction, and hereby releases Tremco CPG Inc. from any and all liability related to the design and installation of the product. This detail is subject to change without notice. Contact Tremco to ensure you have the most recent version.

Standard Form Unit Profiles

Detail: Nudura 4" (102mm) End Cap and Height Adjuster			File Name:
Drawn by: TVC	Checked by: KS	Scale: 1:8	A4A08
Revision #: 02	Revised by: KAB	Date: 3/13/2024	

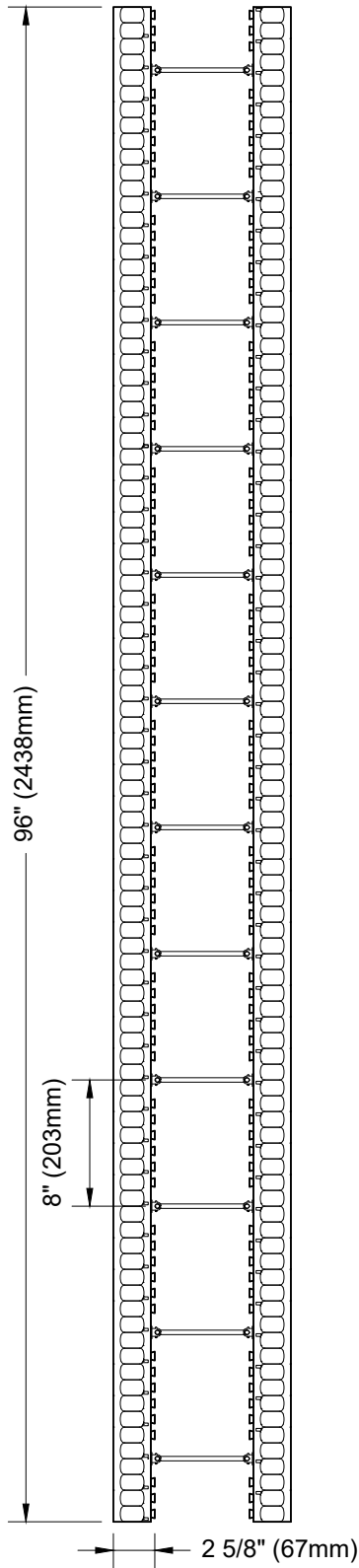


Nudura Technical Support: 866-468-6299
International: +1 705-726-9499

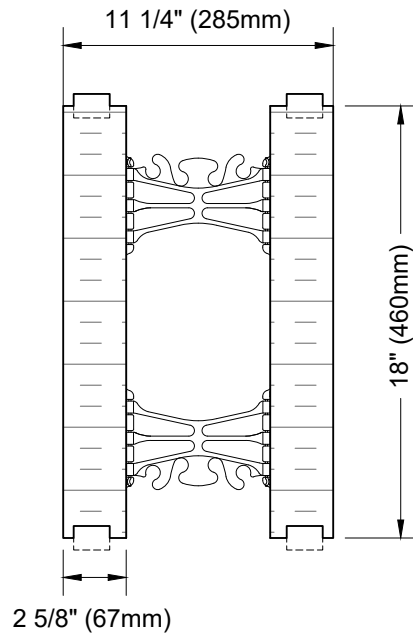
www.tremcocpg.com



Construction Products Group



SCALE: 1:12



SCALE: 1:8

This detail is for general informational purposes only. The project design professional determines, in its sole discretion, whether this detail or a functionally equivalent detail is best suited for the project with respect to any architecture, engineering, and design requirements, including any local building code requirements. If this document is not reviewed and the product is not approved for use by a licensed design professional, the customer agrees that the detail may contain substantive flaws requiring correction, and hereby releases Tremco CPG Inc. from any and all liability related to the design and installation of the product. This detail is subject to change without notice. Contact Tremco to ensure you have the most recent version.

Standard Form Unit Profiles



Nudura Technical Support: 866-468-6299
International: +1 705-726-9499

Detail: Nudura 6" (152mm) Standard Form Unit

Drawn by: KS

Checked by: KS

Scale: As Noted

Revision #: 04

Revised by: KAB

Date: 3/13/2024

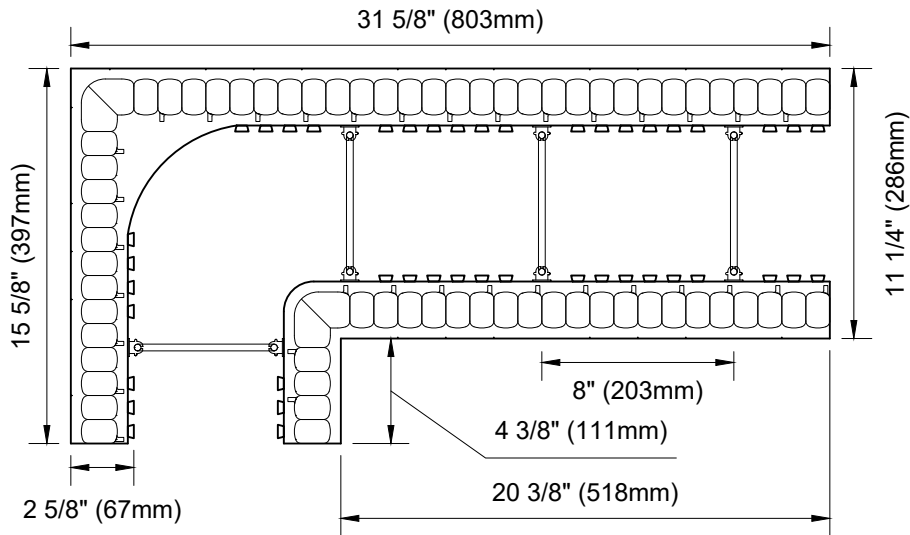
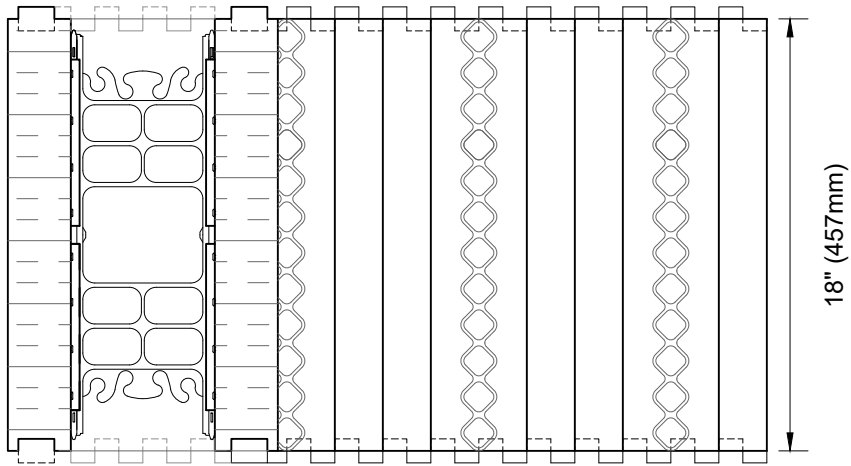
File Name:

A6A01



Construction Products Group

www.tremcocpg.com



This detail is for general informational purposes only. The project design professional determines, in its sole discretion, whether this detail or a functionally equivalent detail is best suited for the project with respect to any architecture, engineering, and design requirements, including any local building code requirements. If this document is not reviewed and the product is not approved for use by a licensed design professional, the customer agrees that the detail may contain substantive flaws requiring correction, and hereby releases Tremco CPG Inc. from any and all liability related to the design and installation of the product. This detail is subject to change without notice. Contact Tremco to ensure you have the most recent version.

Standard Form Unit Profiles

Detail: Nudura 6" (152mm) 90° Corner Form Unit

File Name:

Drawn by: KS

Checked by: KS

Scale: 1:8

A6A02

Revision #: 07

Revised by: KAB

Date: 3/13/2024

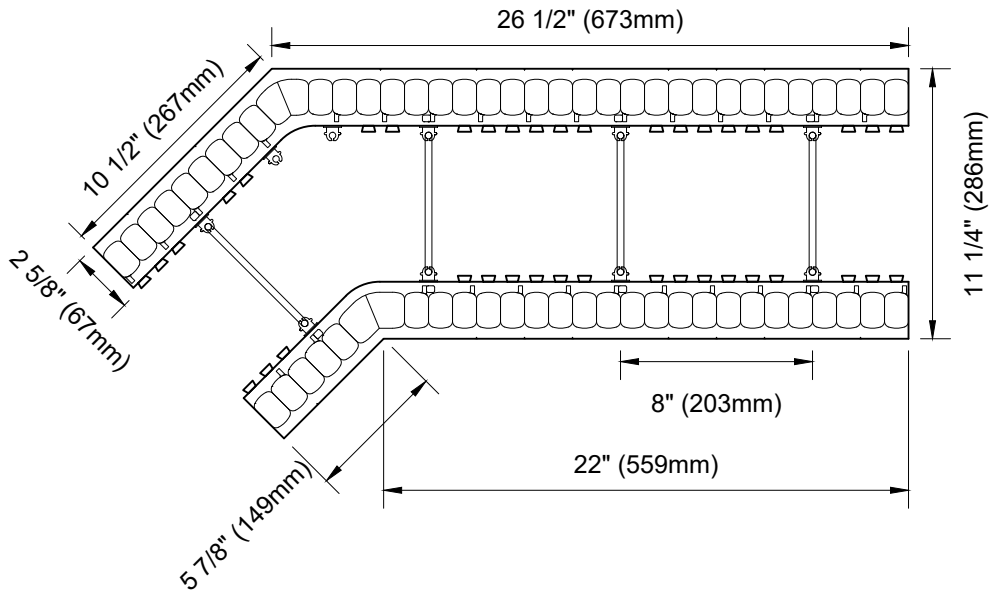
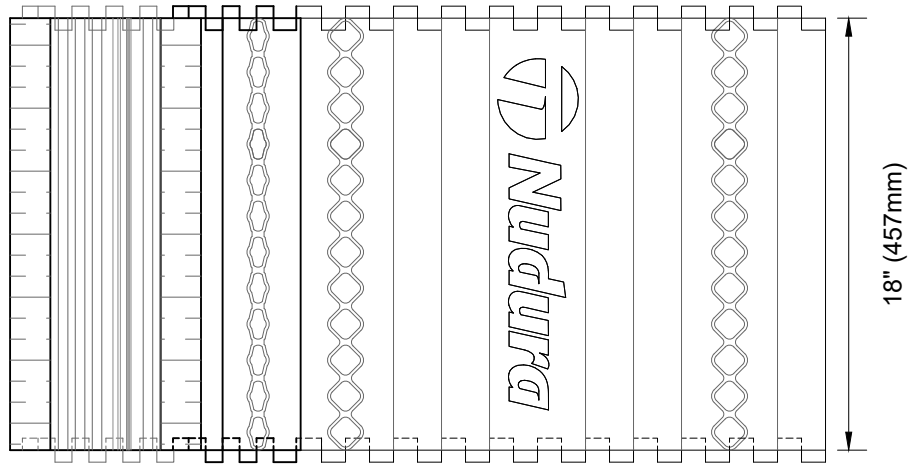


Nudura Technical Support: 866-468-6299
International: +1 705-726-9499

www.tremcocpg.com



Construction Products Group



This detail is for general informational purposes only. The project design professional determines, in its sole discretion, whether this detail or a functionally equivalent detail is best suited for the project with respect to any architecture, engineering, and design requirements, including any local building code requirements. If this document is not reviewed and the product is not approved for use by a licensed design professional, the customer agrees that the detail may contain substantive flaws requiring correction, and hereby releases Tremco CPG Inc. from any and all liability related to the design and installation of the product. This detail is subject to change without notice. Contact Tremco to ensure you have the most recent version.

Standard Form Unit Profiles



Detail: Nudura 6" (152mm) 45° Corner Form Unit

Drawn by: KS

Checked by: KS

Scale: 1:8

Revision #: 03

Revised by: KAB

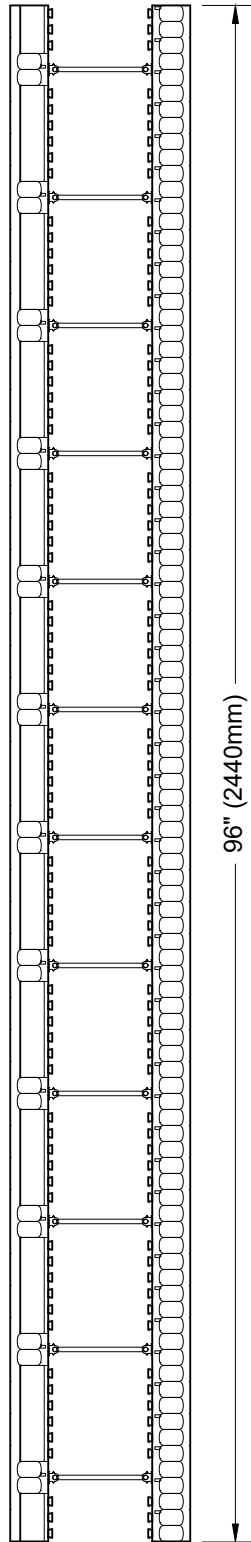
Date: 3/13/2024

www.tremcocpg.com

File Name:

A6A03

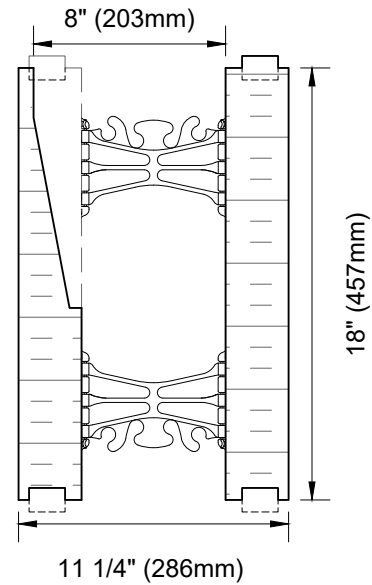




96" (2440mm)

5/8" (16mm) 2 5/8" (67mm)

SCALE: 1:12



SCALE: 1:8

This detail is for general informational purposes only. The project design professional determines, in its sole discretion, whether this detail or a functionally equivalent detail is best suited for the project with respect to any architecture, engineering, and design requirements, including any local building code requirements. If this document is not reviewed and the product is not approved for use by a licensed design professional, the customer agrees that the detail may contain substantive flaws requiring correction, and hereby releases Tremco CPG Inc. from any and all liability related to the design and installation of the product. This detail is subject to change without notice. Contact Tremco to ensure you have the most recent version.

Standard Form Unit Profiles

Detail: Nudura 6" (152mm) One Sided Taper Top Form Unit

File Name:

Drawn by: KS

Checked by: KS

Scale: As Noted

A6A04

Revision #: 03

Revised by: KAB

Date: 3/13/2024

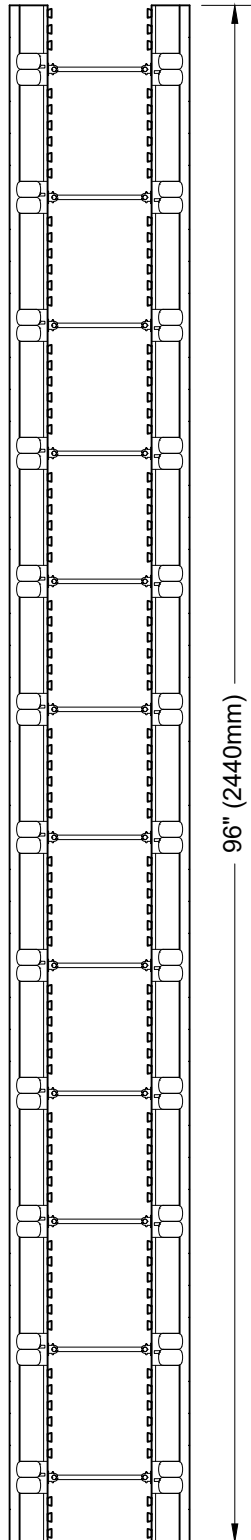


Nudura Technical Support: 866-468-6299
International: +1 705-726-9499



Construction Products Group

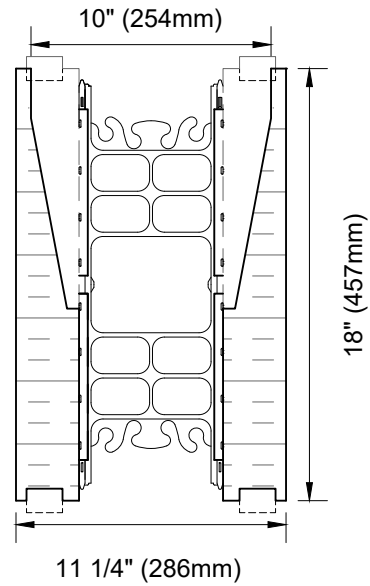
www.tremcocpg.com



96" (2440mm)

5/8" (16mm) 2 5/8" (67mm)

SCALE: 1:12

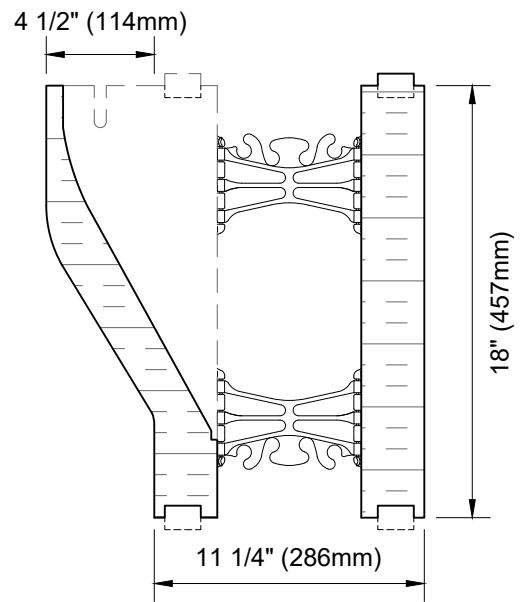
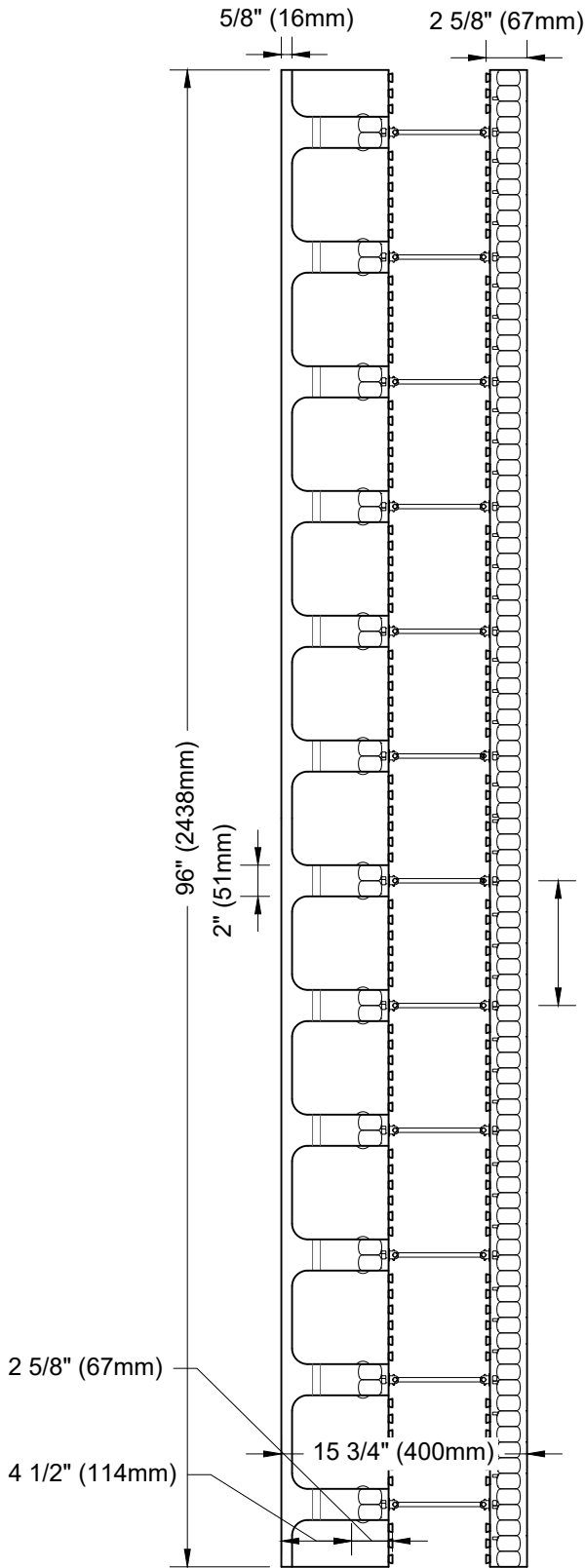


SCALE: 1:8

This detail is for general informational purposes only. The project design professional determines, in its sole discretion, whether this detail or a functionally equivalent detail is best suited for the project with respect to any architecture, engineering, and design requirements, including any local building code requirements. If this document is not reviewed and the product is not approved for use by a licensed design professional, the customer agrees that the detail may contain substantive flaws requiring correction, and hereby releases Tremco CPG Inc. from any and all liability related to the design and installation of the product. This detail is subject to change without notice. Contact Tremco to ensure you have the most recent version.

Standard Form Unit Profiles

Detail: Nudura 6" (152mm) Two Sided Taper Top Form Unit			File Name:
Drawn by: KS	Checked by: KS	Scale: As Noted	A6A05
Revision #: 05	Revised by: KAB	Date: 3/13/2024	



SCALE: 1:8

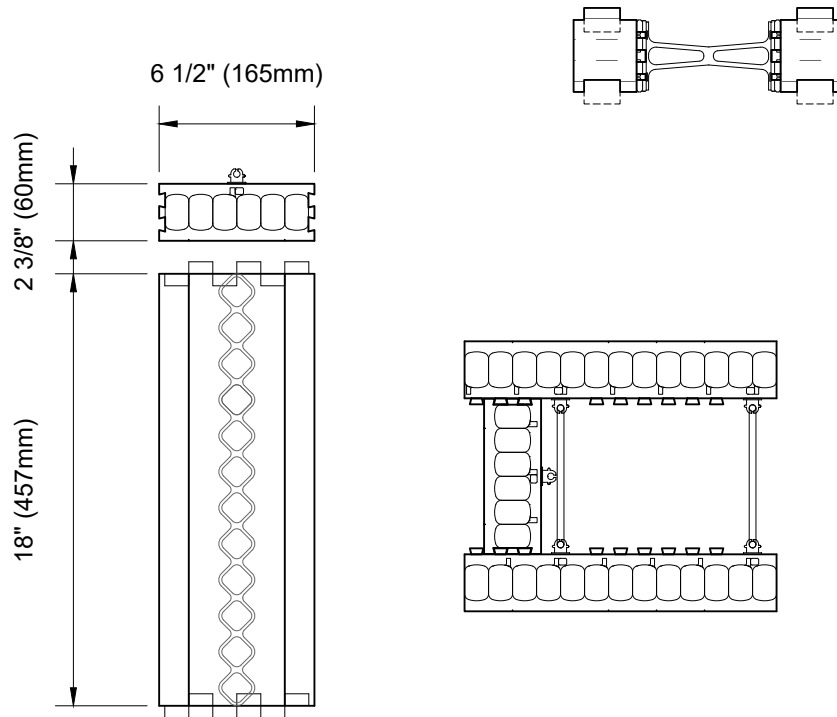
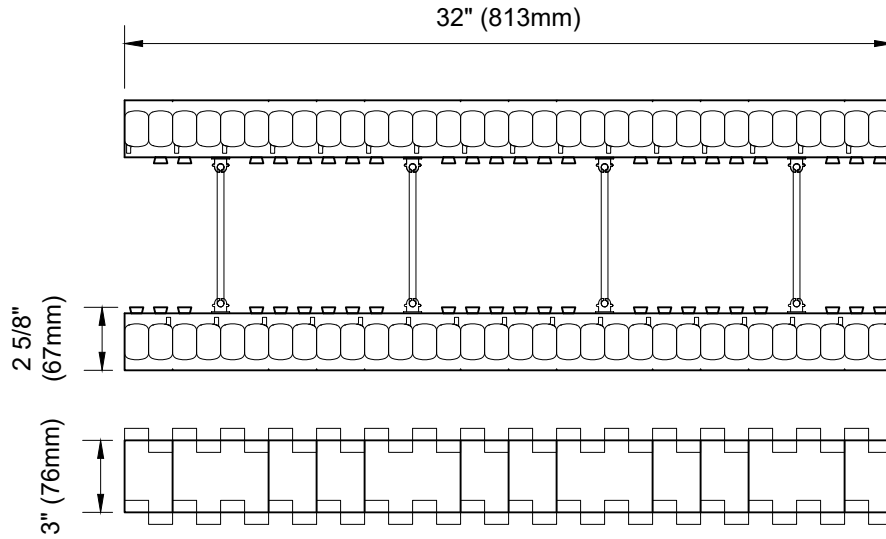
SCALE: 1:12

This detail is for general informational purposes only. The project design professional determines, in its sole discretion, whether this detail or a functionally equivalent detail is best suited for the project with respect to any architecture, engineering, and design requirements, including any local building code requirements. If this document is not reviewed and the product is not approved for use by a licensed design professional, the customer agrees that the detail may contain substantive flaws requiring correction, and hereby releases Tremco CPG Inc. from any and all liability related to the design and installation of the product. This detail is subject to change without notice. Contact Tremco to ensure you have the most recent version.

Standard Form Unit Profiles

Detail: Nudura 6" (152mm) One Sided Brick Ledge Form Unit			File Name:
Drawn by: KS	Checked by: KS	Scale: As Noted	A6A06
Revision #: 04	Revised by: KAB	Date: 3/13/2024	





This detail is for general informational purposes only. The project design professional determines, in its sole discretion, whether this detail or a functionally equivalent detail is best suited for the project with respect to any architecture, engineering, and design requirements, including any local building code requirements. If this document is not reviewed and the product is not approved for use by a licensed design professional, the customer agrees that the detail may contain substantive flaws requiring correction, and hereby releases Tremco CPG Inc. from any and all liability related to the design and installation of the product. This detail is subject to change without notice. Contact Tremco to ensure you have the most recent version.

Standard Form Unit Profiles

Detail: Nudura 6" (152mm) End Cap and Height Adjuster

File Name:

Drawn by: KS

Checked by: KS

Scale: 1:8

A6A08

Revision #: 03

Revised by: KAB

Date: 3/13/2024

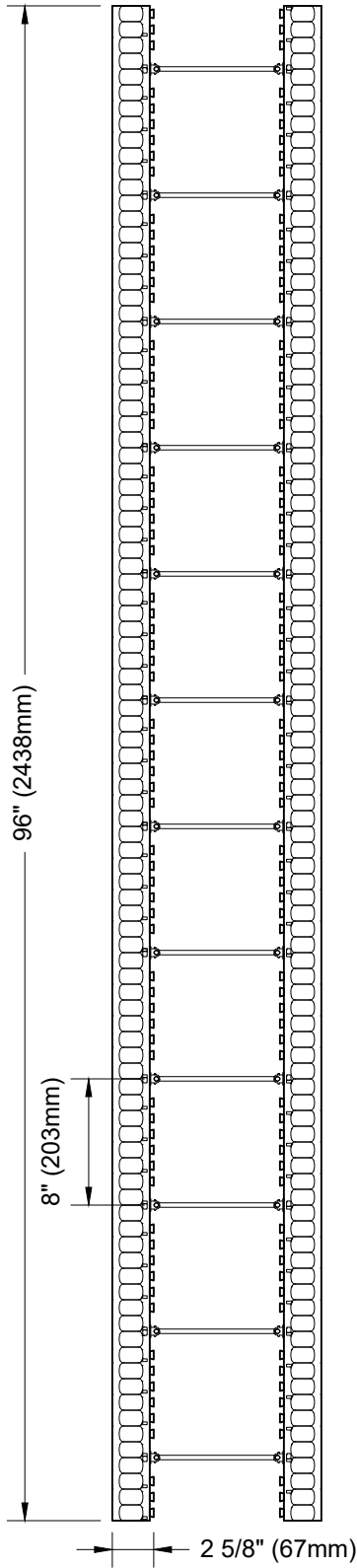


Nudura Technical Support: 866-468-6299
International: +1 705-726-9499

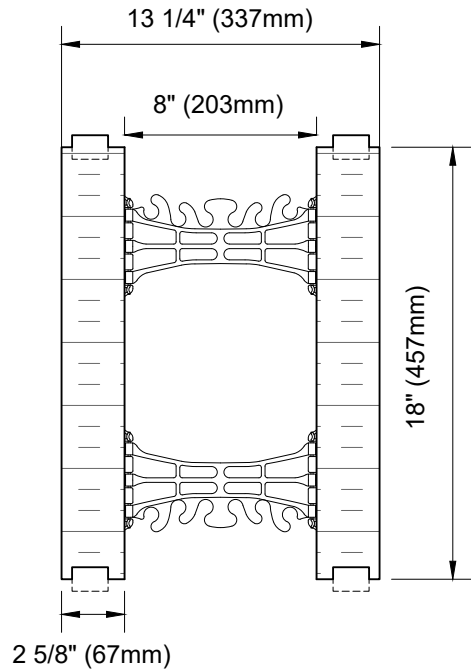
www.tremcocpg.com



Construction Products Group



SCALE: 1:12



SCALE: 1:8

This detail is for general informational purposes only. The project design professional determines, in its sole discretion, whether this detail or a functionally equivalent detail is best suited for the project with respect to any architecture, engineering, and design requirements, including any local building code requirements. If this document is not reviewed and the product is not approved for use by a licensed design professional, the customer agrees that the detail may contain substantive flaws requiring correction, and hereby releases Tremco CPG Inc. from any and all liability related to the design and installation of the product. This detail is subject to change without notice. Contact Tremco to ensure you have the most recent version.

Standard Form Unit Profiles



Nudura Technical Support: 866-468-6299
International: +1 705-726-9499

Detail: Nudura 8" (203mm) Standard Form Unit

Drawn by: TVC

Checked by: KS

Scale: As Noted

Revision #: 03

Revised by: KAB

Date: 3/13/2024

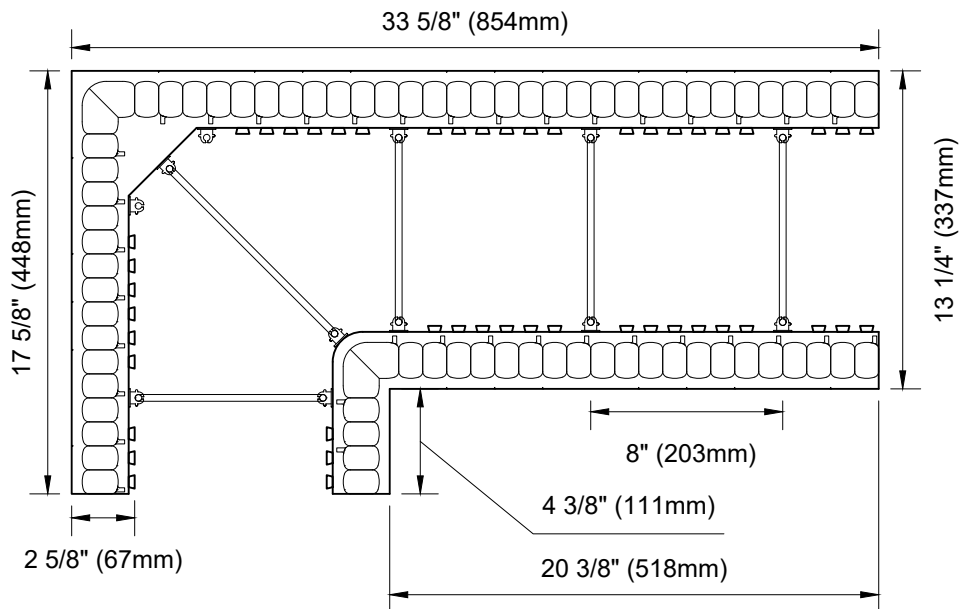
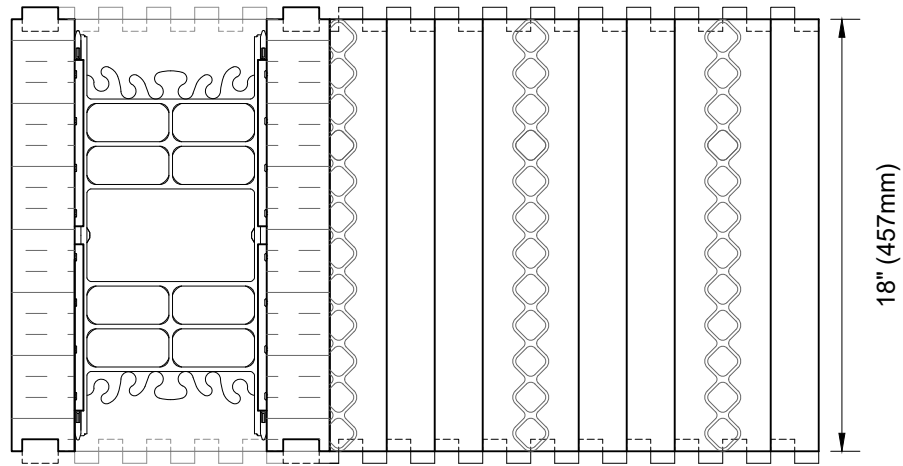
File Name:

A8A01



Construction Products Group

www.tremcocpg.com



This detail is for general informational purposes only. The project design professional determines, in its sole discretion, whether this detail or a functionally equivalent detail is best suited for the project with respect to any architecture, engineering, and design requirements, including any local building code requirements. If this document is not reviewed and the product is not approved for use by a licensed design professional, the customer agrees that the detail may contain substantive flaws requiring correction, and hereby releases Tremco CPG Inc. from any and all liability related to the design and installation of the product. This detail is subject to change without notice. Contact Tremco to ensure you have the most recent version.

Standard Form Unit Profiles



Detail: Nudura 8" (203mm) 90° Corner Form Unit

Drawn by: KS

Checked by: KS

Scale: 1:8

Revision #: 06

Revised by: KAB

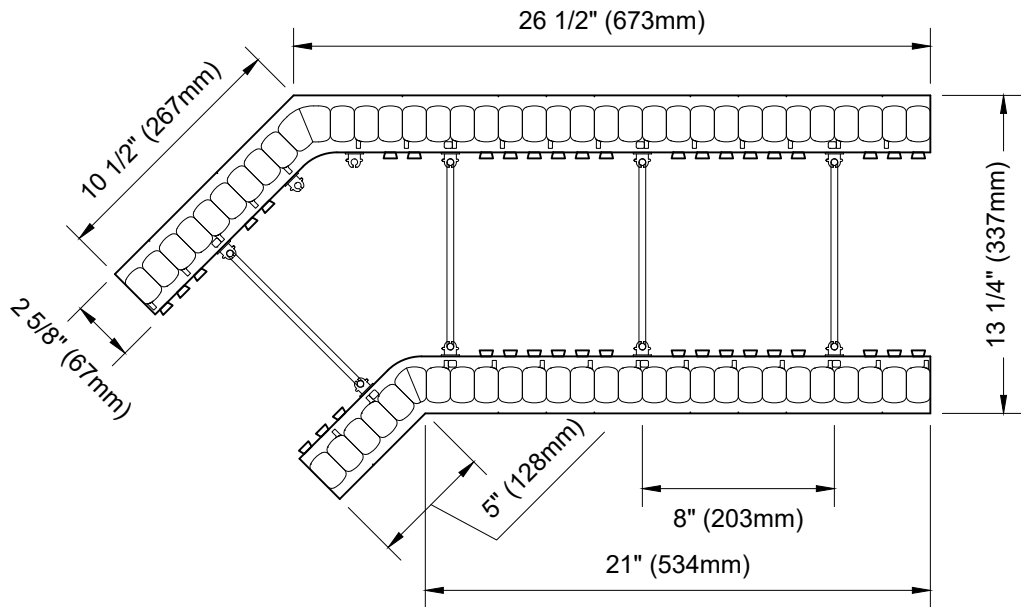
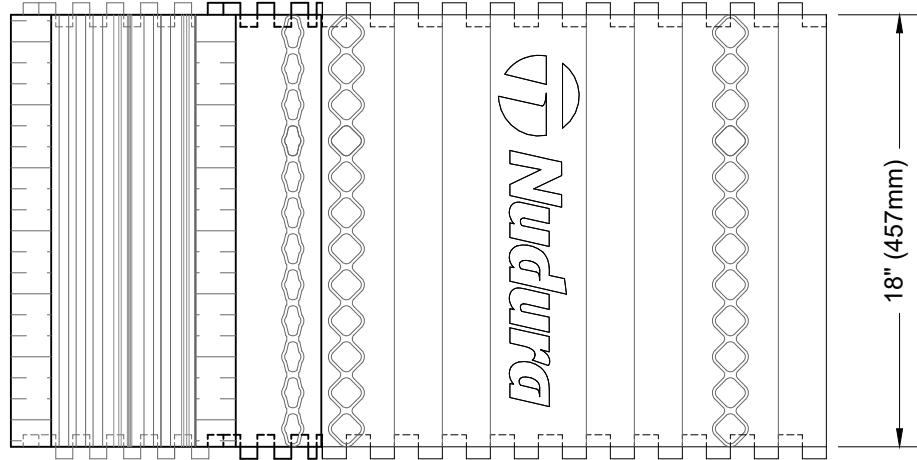
Date: 3/13/2024

www.tremcocpg.com

File Name:

A8A02





This detail is for general informational purposes only. The project design professional determines, in its sole discretion, whether this detail or a functionally equivalent detail is best suited for the project with respect to any architecture, engineering, and design requirements, including any local building code requirements. If this document is not reviewed and the product is not approved for use by a licensed design professional, the customer agrees that the detail may contain substantive flaws requiring correction, and hereby releases Tremco CPG Inc. from any and all liability related to the design and installation of the product. This detail is subject to change without notice. Contact Tremco to ensure you have the most recent version.

Standard Form Unit Profiles

Detail: Nudura 8" (203mm) 45° Corner Form Unit			File Name:
Drawn by: KS	Checked by: KS	Scale: 1:8	A8A03
Revision #: 03	Revised by: KAB	Date: 3/13/2024	

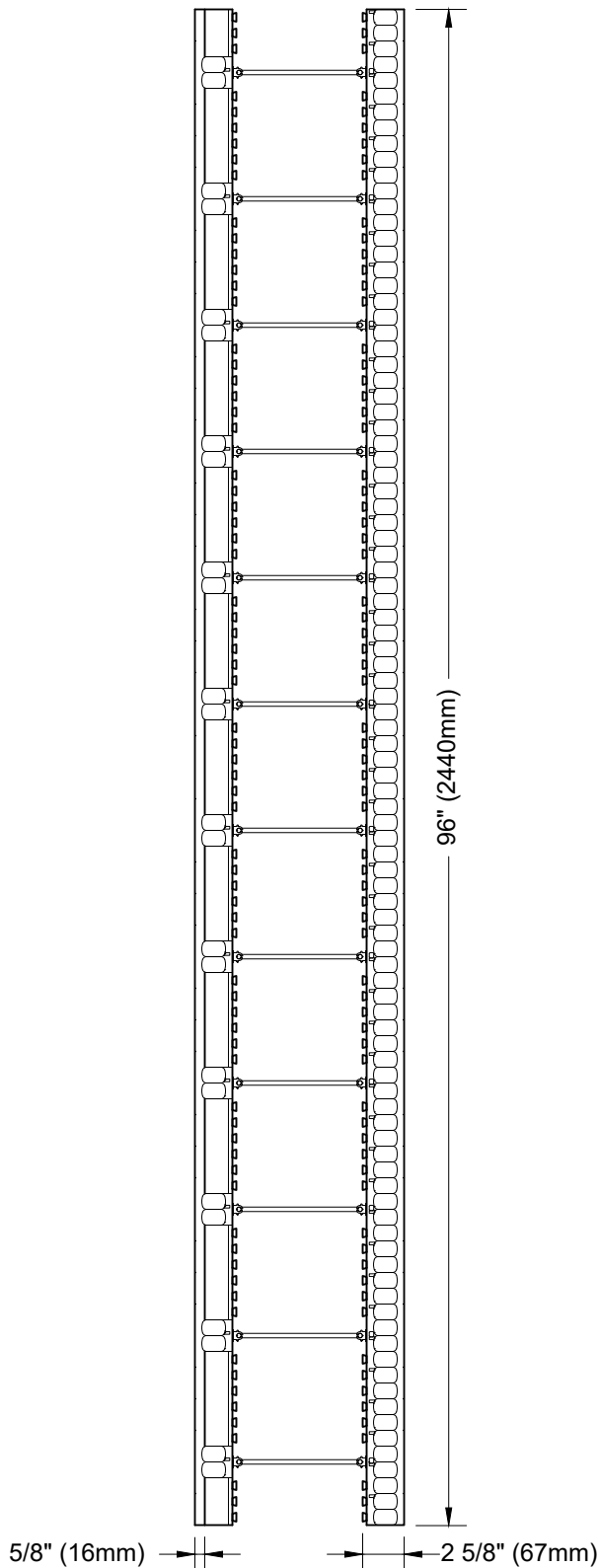


Nudura Technical Support: 866-468-6299
International: +1 705-726-9499

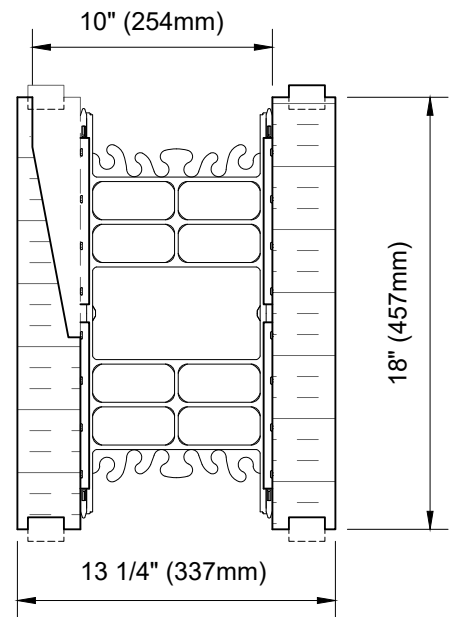
www.tremcocpg.com



Construction Products Group



SCALE: 1:12



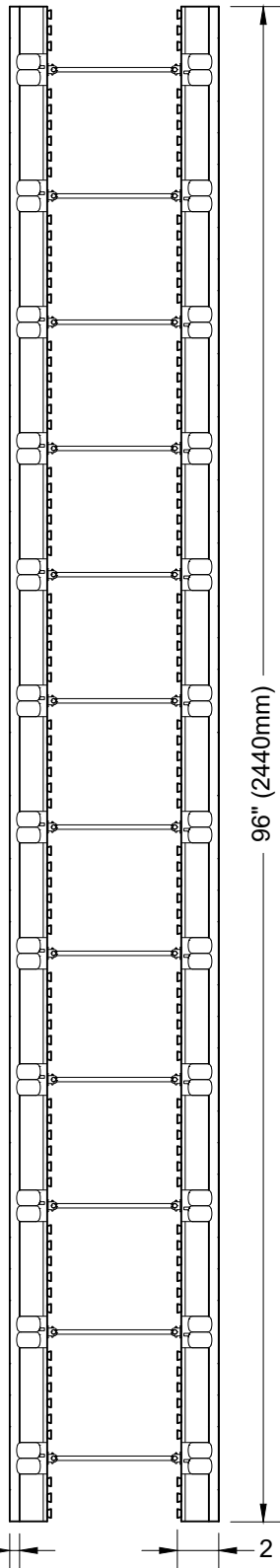
SCALE: 1:8

This detail is for general informational purposes only. The project design professional determines, in its sole discretion, whether this detail or a functionally equivalent detail is best suited for the project with respect to any architecture, engineering, and design requirements, including any local building code requirements. If this document is not reviewed and the product is not approved for use by a licensed design professional, the customer agrees that the detail may contain substantive flaws requiring correction, and hereby releases Tremco CPG Inc. from any and all liability related to the design and installation of the product. This detail is subject to change without notice. Contact Tremco to ensure you have the most recent version.

Standard Form Unit Profiles

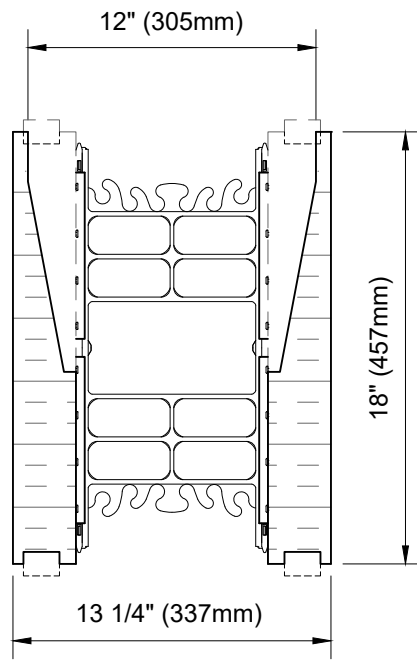
Detail: Nudura 8" (203mm) One Sided Taper Top Form Unit			File Name:
Drawn by: KS	Checked by: KS	Scale: As Noted	A8A04
Revision #: 04	Revised by: KAB	Date: 3/13/2024	





5/8" (16mm) 2 5/8" (67mm)

SCALE: 1:12



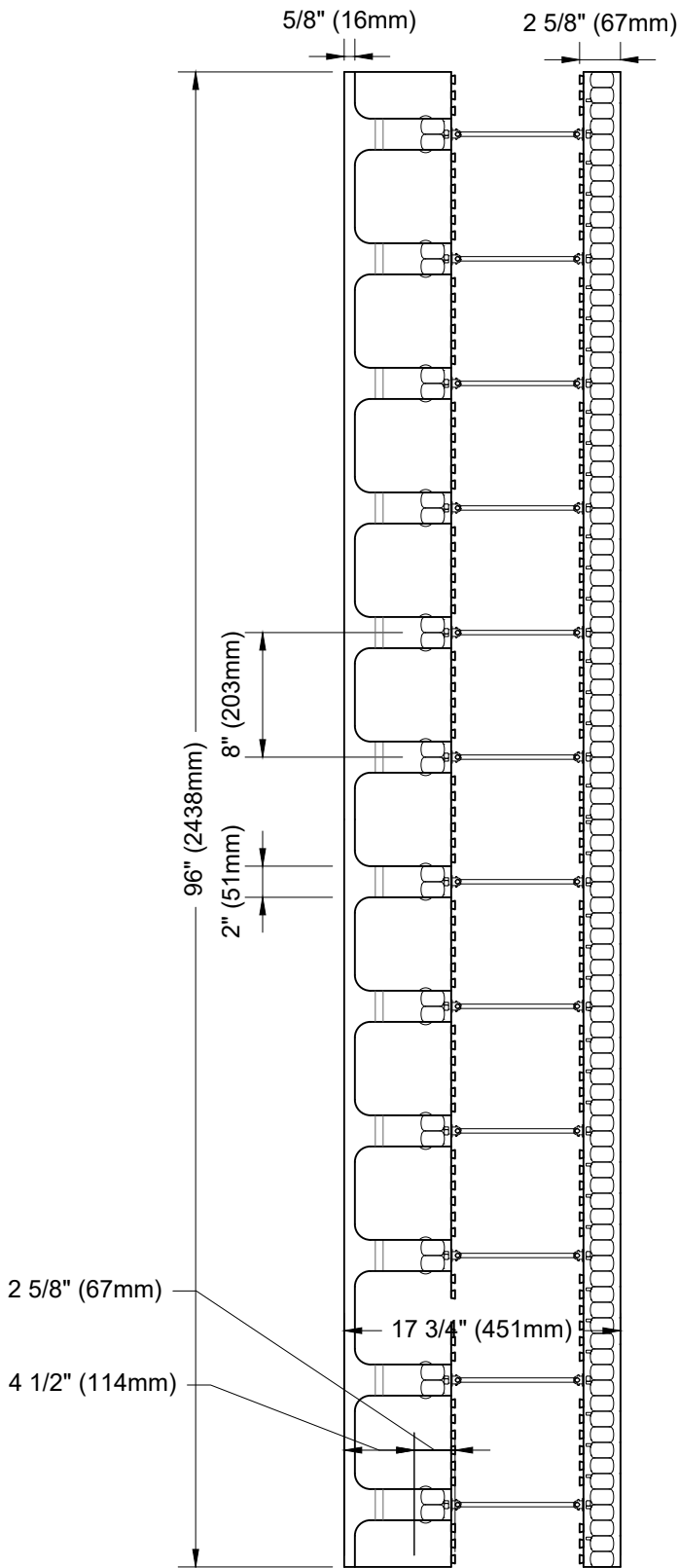
SCALE: 1:8

This detail is for general informational purposes only. The project design professional determines, in its sole discretion, whether this detail or a functionally equivalent detail is best suited for the project with respect to any architecture, engineering, and design requirements, including any local building code requirements. If this document is not reviewed and the product is not approved for use by a licensed design professional, the customer agrees that the detail may contain substantive flaws requiring correction, and hereby releases Tremco CPG Inc. from any and all liability related to the design and installation of the product. This detail is subject to change without notice. Contact Tremco to ensure you have the most recent version.

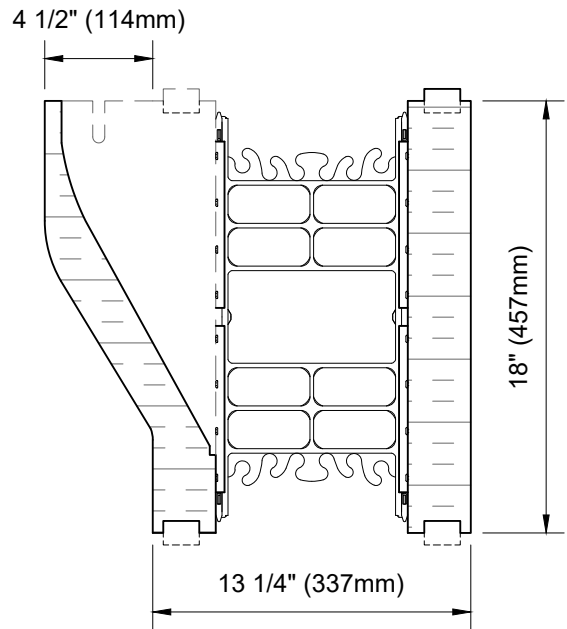
Standard Form Unit Profiles

Detail: Nudura 8" (203mm) Two Sided Taper Top Form Unit			File Name:
Drawn by: KS	Checked by: KS	Scale: As Noted	A8A05
Revision #: 04	Revised by: KAB	Date: 3/13/2024	





SCALE: 1:12



SCALE: 1:8

This detail is for general informational purposes only. The project design professional determines, in its sole discretion, whether this detail or a functionally equivalent detail is best suited for the project with respect to any architecture, engineering, and design requirements, including any local building code requirements. If this document is not reviewed and the product is not approved for use by a licensed design professional, the customer agrees that the detail may contain substantive flaws requiring correction, and hereby releases Tremco CPG Inc. from any and all liability related to the design and installation of the product. This detail is subject to change without notice. Contact Tremco to ensure you have the most recent version.

Standard Form Unit Profiles



Nudura Technical Support: 866-468-6299
International: +1 705-726-9499

Detail: Nudura 8" (203mm) One Sided Brick Ledge Form Unit

Drawn by: KS

Checked by: KS

Scale: As Noted

Revision #: 04

Revised by: KAB

Date: 3/13/2024

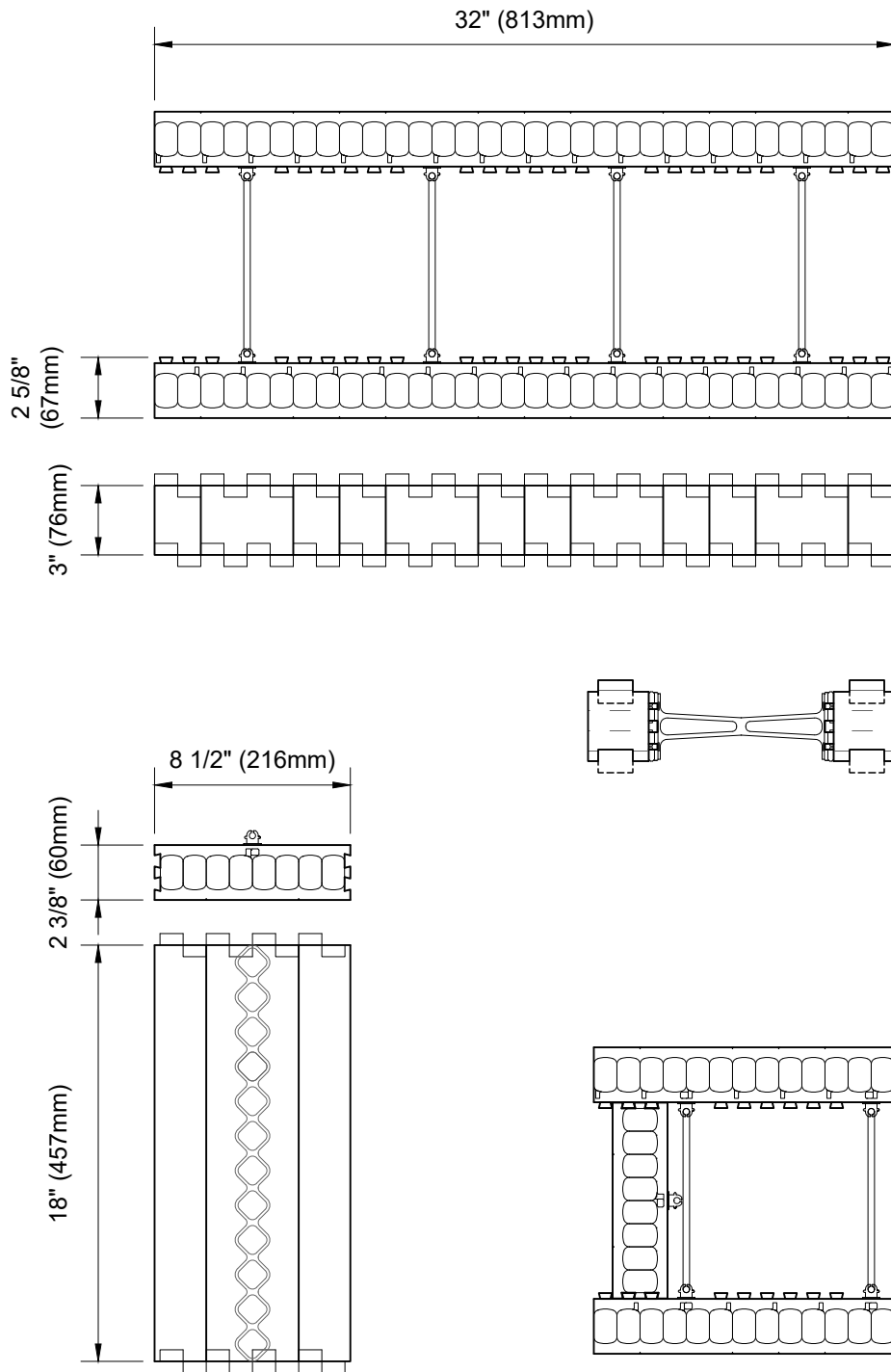
File Name:

A8A06



Construction Products Group

www.tremcocpg.com



This detail is for general informational purposes only. The project design professional determines, in its sole discretion, whether this detail or a functionally equivalent detail is best suited for the project with respect to any architecture, engineering, and design requirements, including any local building code requirements. If this document is not reviewed and the product is not approved for use by a licensed design professional, the customer agrees that the detail may contain substantive flaws requiring correction, and hereby releases Tremco CPG Inc. from any and all liability related to the design and installation of the product. This detail is subject to change without notice. Contact Tremco to ensure you have the most recent version.

Standard Form Unit Profiles

Detail: Nudura 8" (203mm) End Cap and Height Adjuster			File Name:
Drawn by: TVC	Checked by: KS	Scale: 1:8	A8A08
Revision #: 02	Revised by: KAB	Date: 3/13/2024	

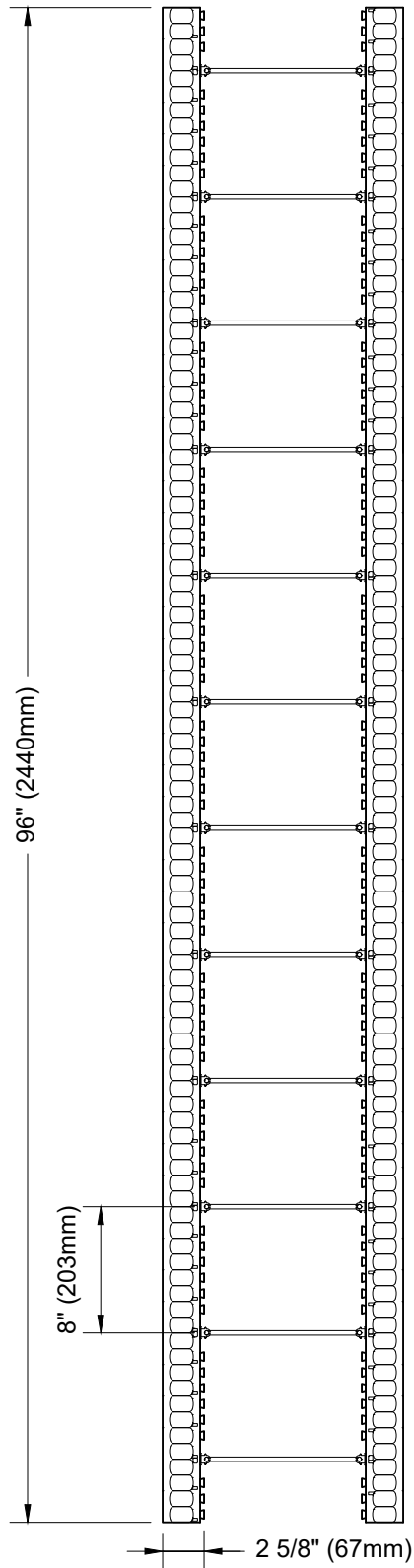


Nudura Technical Support: 866-468-6299
International: +1 705-726-9499

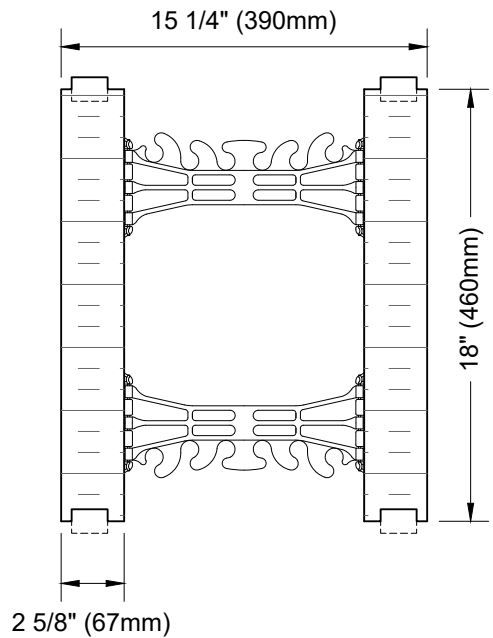
www.tremcocpg.com



Construction Products Group



SCALE: 1:12



SCALE: 1:8

This detail is for general informational purposes only. The project design professional determines, in its sole discretion, whether this detail or a functionally equivalent detail is best suited for the project with respect to any architecture, engineering, and design requirements, including any local building code requirements. If this document is not reviewed and the product is not approved for use by a licensed design professional, the customer agrees that the detail may contain substantive flaws requiring correction, and hereby releases Tremco CPG Inc. from any and all liability related to the design and installation of the product. This detail is subject to change without notice. Contact Tremco to ensure you have the most recent version.

Standard Form Unit Profiles



Nudura Technical Support: 866-468-6299
International: +1 705-726-9499

Detail: Nudura 10" (254mm) Standard Form Unit

Drawn by: TVC

Checked by: KS

Scale: As Noted

Revision #: 03

Revised by: KAB

Date: 3/13/2024

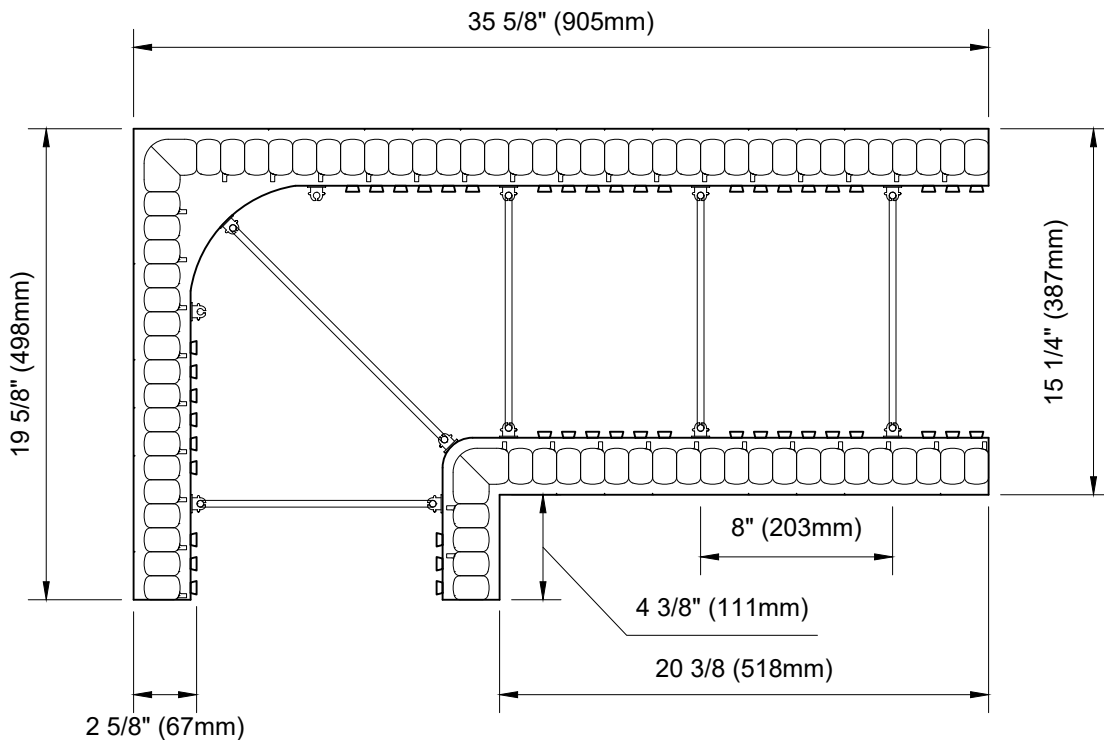
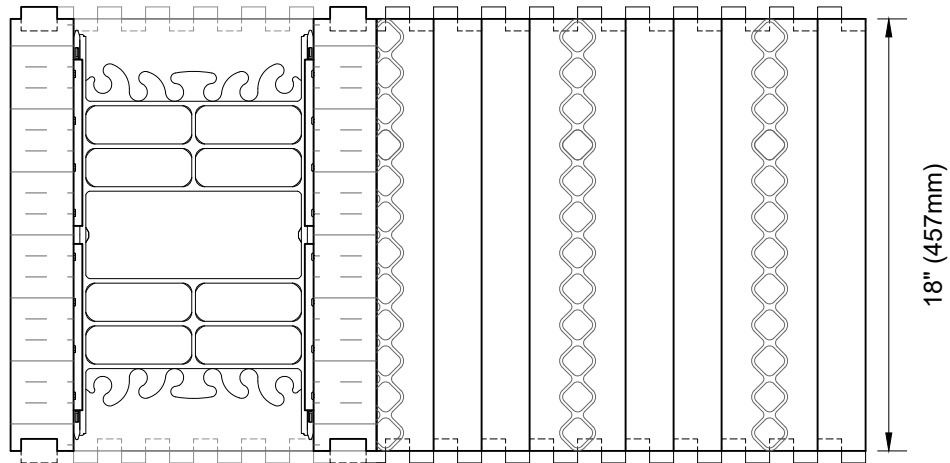
File Name:

A10A01



Construction Products Group

www.tremcocpg.com



This detail is for general informational purposes only. The project design professional determines, in its sole discretion, whether this detail or a functionally equivalent detail is best suited for the project with respect to any architecture, engineering, and design requirements, including any local building code requirements. If this document is not reviewed and the product is not approved for use by a licensed design professional, the customer agrees that the detail may contain substantive flaws requiring correction, and hereby releases Tremco CPG Inc. from any and all liability related to the design and installation of the product. This detail is subject to change without notice. Contact Tremco to ensure you have the most recent version.

Standard Form Unit Profiles

Detail: Nudura 10" (254mm) 90° Corner Form Unit			File Name:
Drawn by: TVC	Checked by: KS	Scale: 1:8	A10A02
Revision #: 05	Revised by: KAB	Date: 3/13/2024	

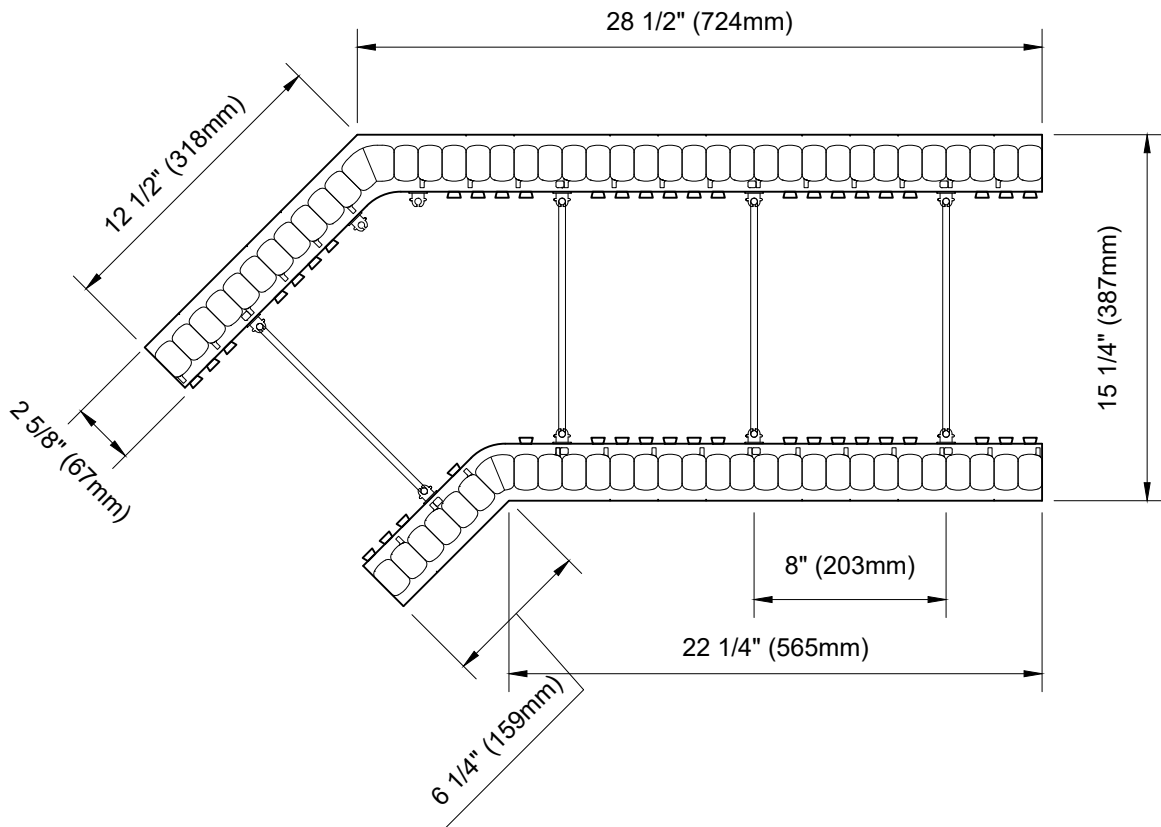
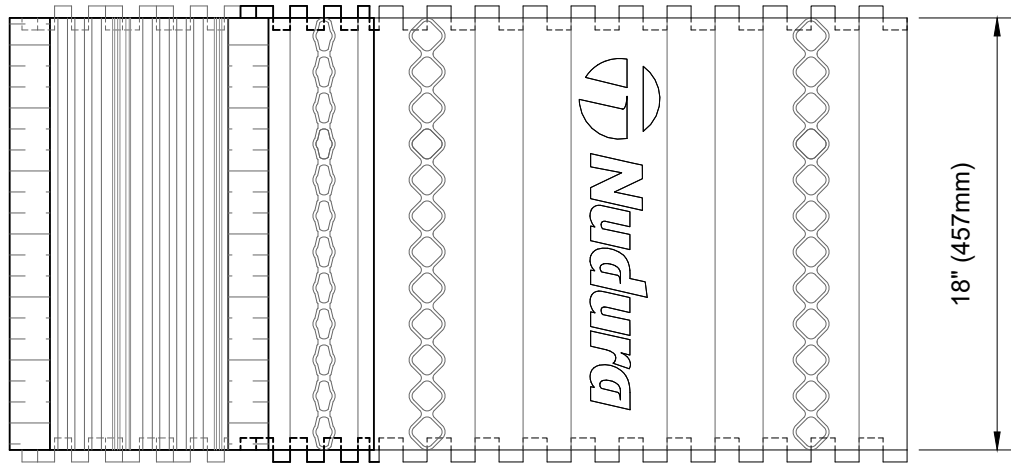


Nudura Technical Support: 866-468-6299
International: +1 705-726-9499

www.tremcocpg.com



Construction Products Group



This detail is for general informational purposes only. The project design professional determines, in its sole discretion, whether this detail or a functionally equivalent detail is best suited for the project with respect to any architecture, engineering, and design requirements, including any local building code requirements. If this document is not reviewed and the product is not approved for use by a licensed design professional, the customer agrees that the detail may contain substantive flaws requiring correction, and hereby releases Tremco CPG Inc. from any and all liability related to the design and installation of the product. This detail is subject to change without notice. Contact Tremco to ensure you have the most recent version.

Standard Form Unit Profiles



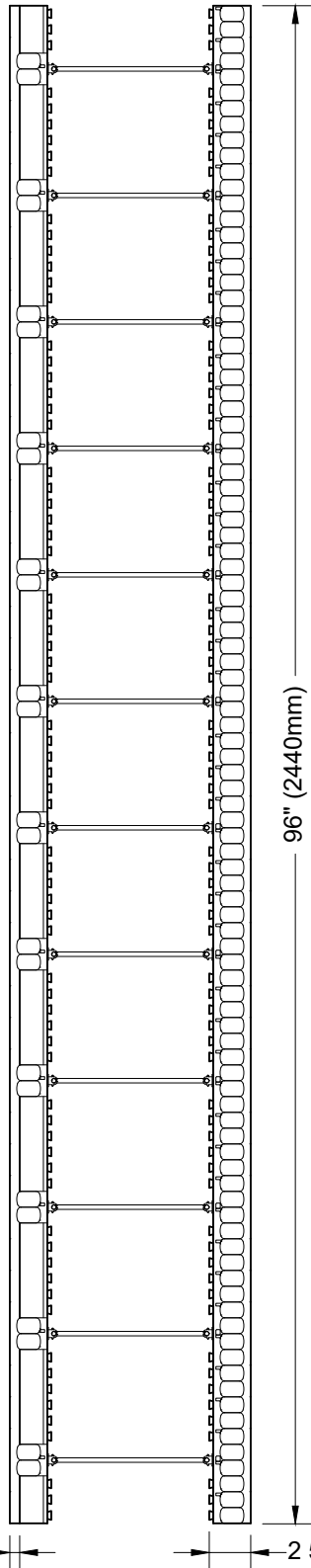
Detail: Nudura 10" (254mm) 45° Corner Form Unit

Drawn by: KS	Checked by: KS	Scale: 1:8
Revision #: 02	Revised by: KAB	Date: 3/13/2024

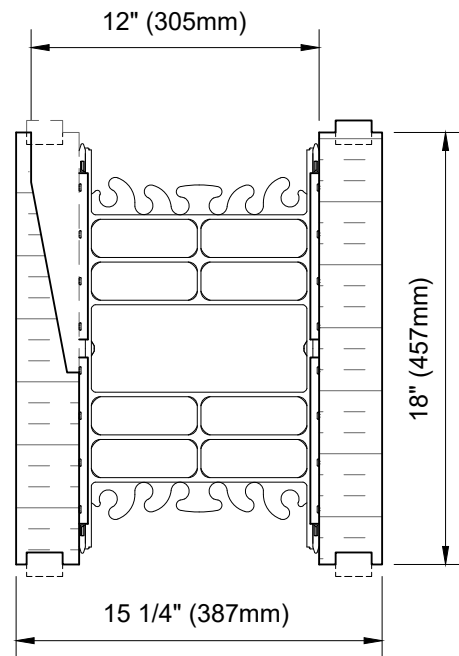
File Name:

A10A03





SCALE: 1:12



SCALE: 1:8

This detail is for general informational purposes only. The project design professional determines, in its sole discretion, whether this detail or a functionally equivalent detail is best suited for the project with respect to any architecture, engineering, and design requirements, including any local building code requirements. If this document is not reviewed and the product is not approved for use by a licensed design professional, the customer agrees that the detail may contain substantive flaws requiring correction, and hereby releases Tremco CPG Inc. from any and all liability related to the design and installation of the product. This detail is subject to change without notice. Contact Tremco to ensure you have the most recent version.

Standard Form Unit Profiles



Nudura Technical Support: 866-468-6299
International: +1 705-726-9499

Detail: Nudura 10" (254mm) One Sided Taper Top Form Unit

Drawn by: TVC

Checked by: KS

Scale: As Noted

Revision #: 04

Revised by: KAB

Date: 3/13/2024

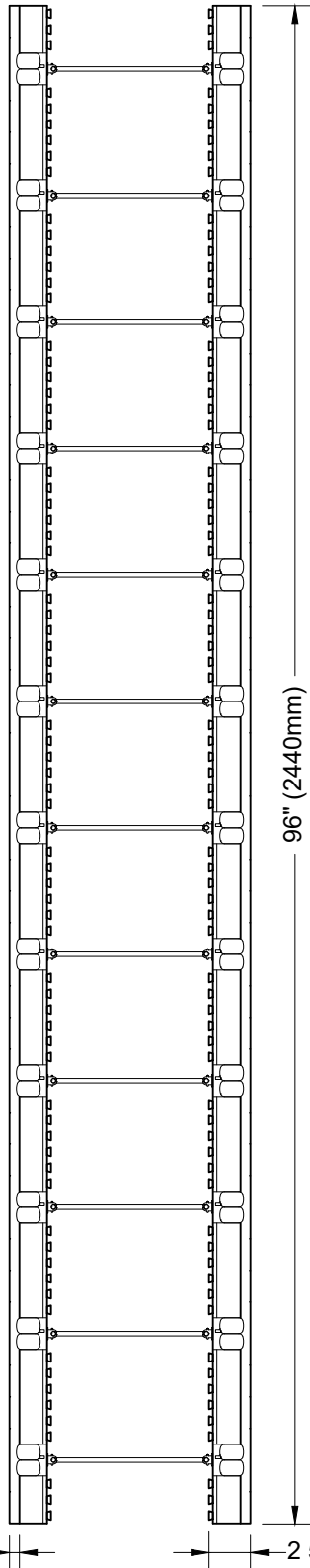
File Name:

A10A04

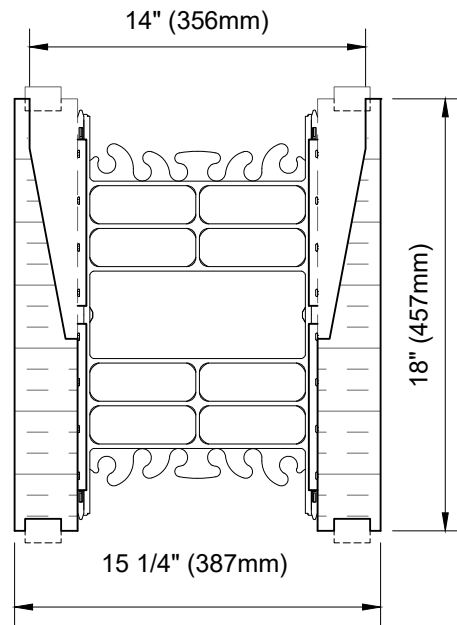


Construction Products Group

www.tremcocpg.com



SCALE: 1:12



SCALE: 1:8

This detail is for general informational purposes only. The project design professional determines, in its sole discretion, whether this detail or a functionally equivalent detail is best suited for the project with respect to any architecture, engineering, and design requirements, including any local building code requirements. If this document is not reviewed and the product is not approved for use by a licensed design professional, the customer agrees that the detail may contain substantive flaws requiring correction, and hereby releases Tremco CPG Inc. from any and all liability related to the design and installation of the product. This detail is subject to change without notice. Contact Tremco to ensure you have the most recent version.

Standard Form Unit Profiles



Nudura Technical Support: 866-468-6299
International: +1 705-726-9499

Detail: Nudura 10" (254mm) Two Sided Taper Top Form Unit

Drawn by: TVC

Checked by: KS

Scale: As Noted

Revision #: 04

Revised by: KAB

Date: 3/13/2024

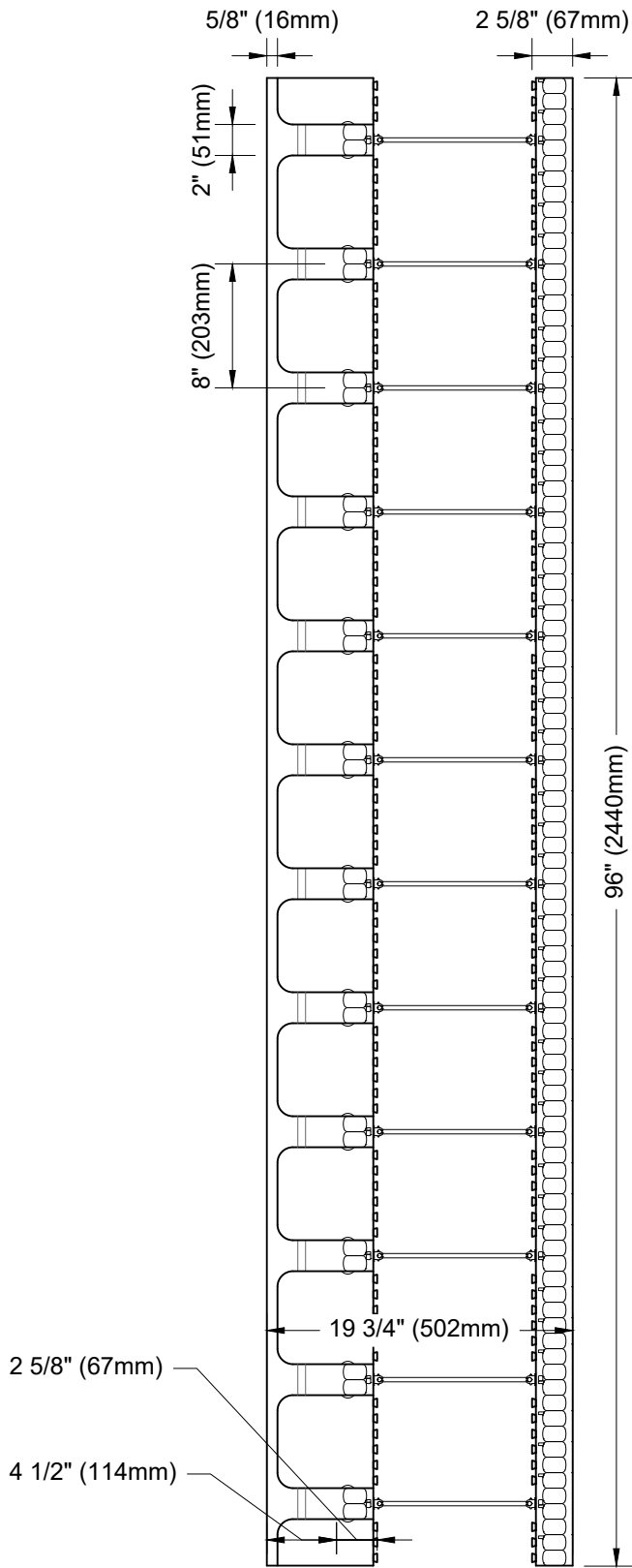
File Name:

A10A05

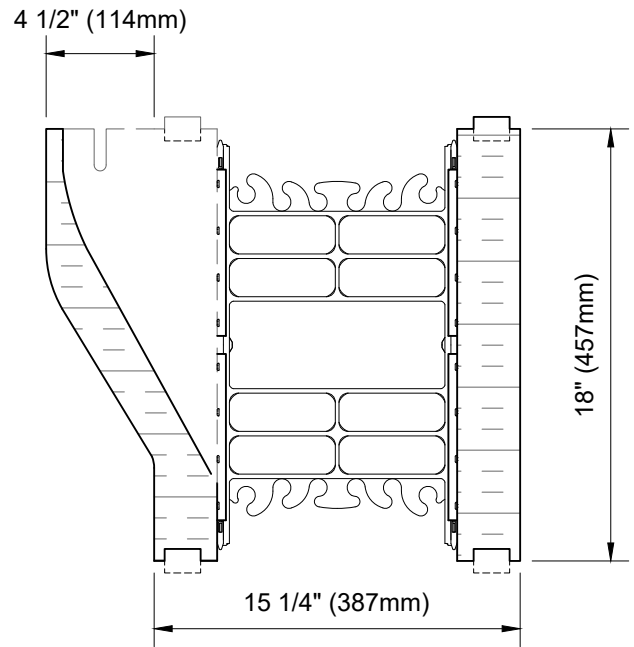


Construction Products Group

www.tremcocpg.com



SCALE: 1:12



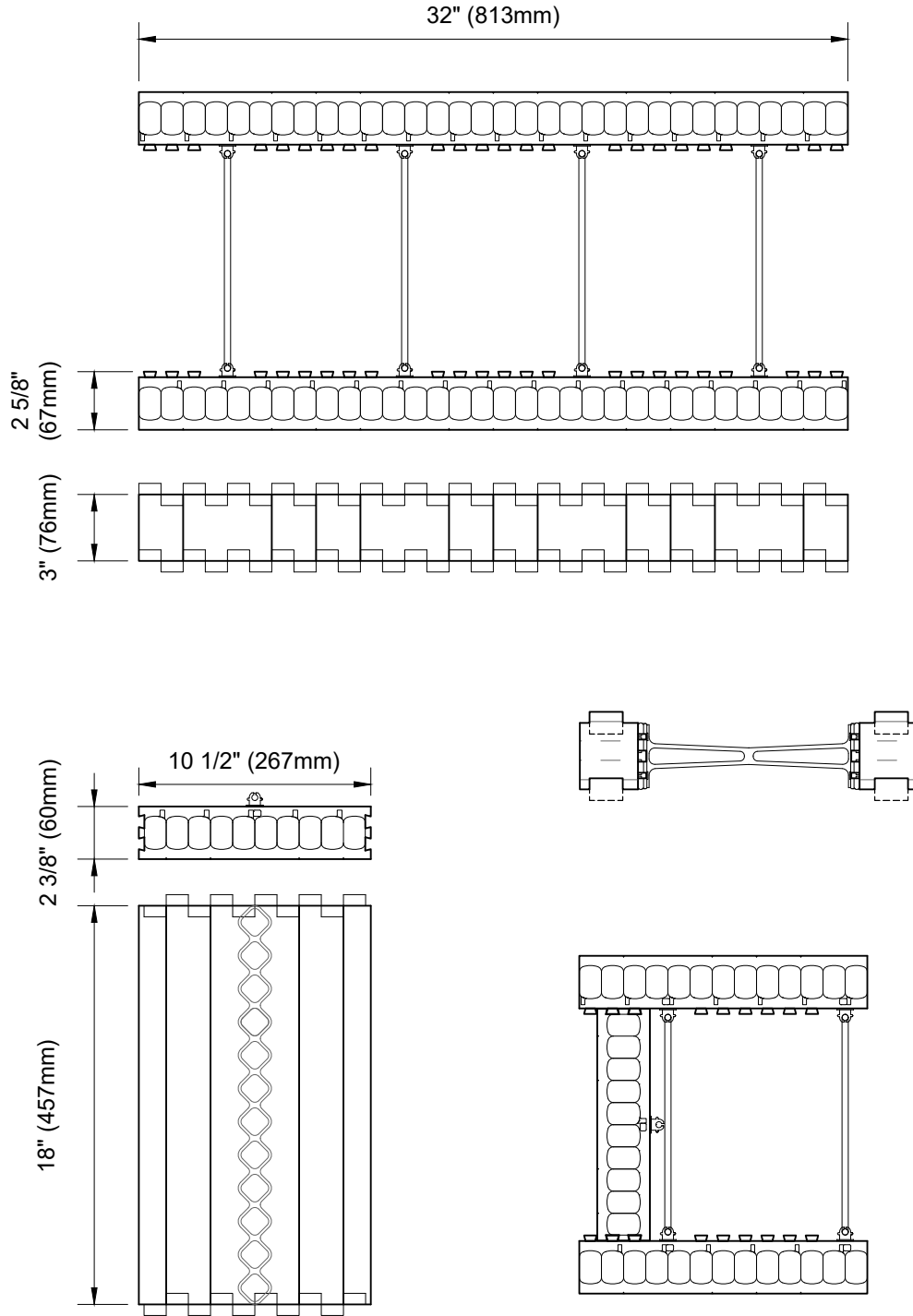
SCALE: 1:8

This detail is for general informational purposes only. The project design professional determines, in its sole discretion, whether this detail or a functionally equivalent detail is best suited for the project with respect to any architecture, engineering, and design requirements, including any local building code requirements. If this document is not reviewed and the product is not approved for use by a licensed design professional, the customer agrees that the detail may contain substantive flaws requiring correction, and hereby releases Tremco CPG Inc. from any and all liability related to the design and installation of the product. This detail is subject to change without notice. Contact Tremco to ensure you have the most recent version.

Standard Form Unit Profiles

Detail: Nudura 10" (254mm) One Sided Brick Ledge Form Unit			File Name:
Drawn by: TVC	Checked by: KS	Scale: As Noted	A10A06
Revision #: 04	Revised by: KAB	Date: 3/13/2024	





This detail is for general informational purposes only. The project design professional determines, in its sole discretion, whether this detail or a functionally equivalent detail is best suited for the project with respect to any architecture, engineering, and design requirements, including any local building code requirements. If this document is not reviewed and the product is not approved for use by a licensed design professional, the customer agrees that the detail may contain substantive flaws requiring correction, and hereby releases Tremco CPG Inc. from any and all liability related to the design and installation of the product. This detail is subject to change without notice. Contact Tremco to ensure you have the most recent version.

Standard Form Unit Profiles

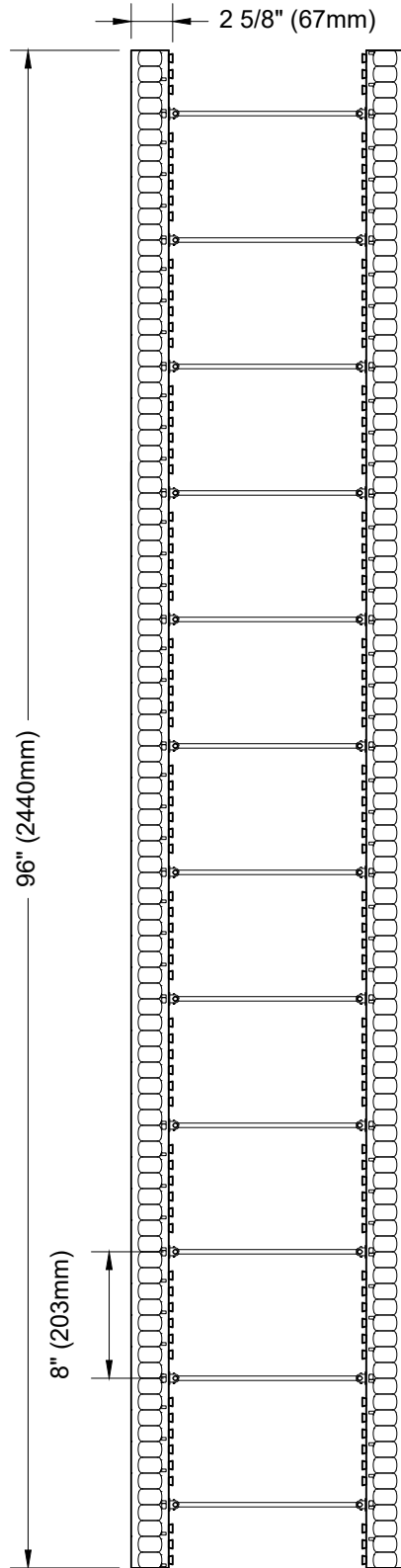
Detail: Nudura 10" (254mm) End Cap and Height Adjuster			File Name:
Drawn by: TVC	Checked by: KS	Scale: 1:8	A10A08
Revision #: 02	Revised by: KAB	Date: 3/13/2024	



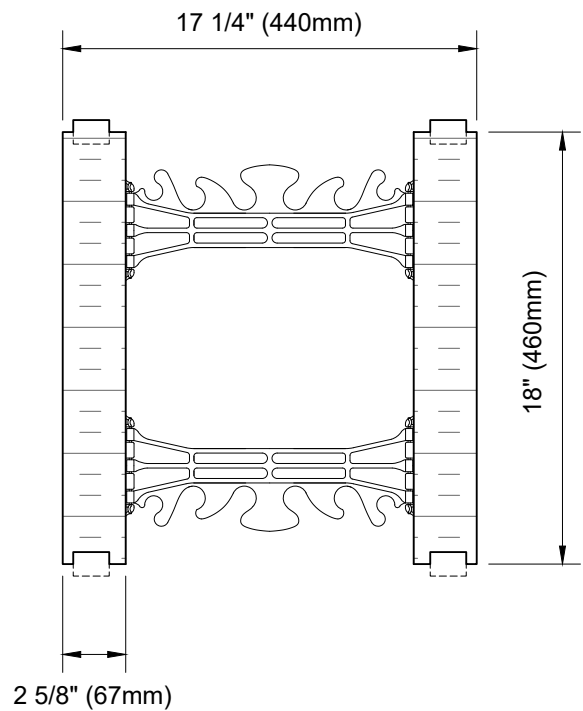
Nudura Technical Support: 866-468-6299
International: +1 705-726-9499

www.tremcocpg.com





SCALE: 1:12



SCALE: 1:8

This detail is for general informational purposes only. The project design professional determines, in its sole discretion, whether this detail or a functionally equivalent detail is best suited for the project with respect to any architecture, engineering, and design requirements, including any local building code requirements. If this document is not reviewed and the product is not approved for use by a licensed design professional, the customer agrees that the detail may contain substantive flaws requiring correction, and hereby releases Tremco CPG Inc. from any and all liability related to the design and installation of the product. This detail is subject to change without notice. Contact Tremco to ensure you have the most recent version.

Standard Form Unit Profiles



Nudura Technical Support: 866-468-6299
International: +1 705-726-9499

Detail: Nudura 12" (305mm) Standard Form Unit

Drawn by: TVC

Checked by: KS

Scale: As Noted

Revision #: 02

Revised by: KAB

Date: 3/13/2024

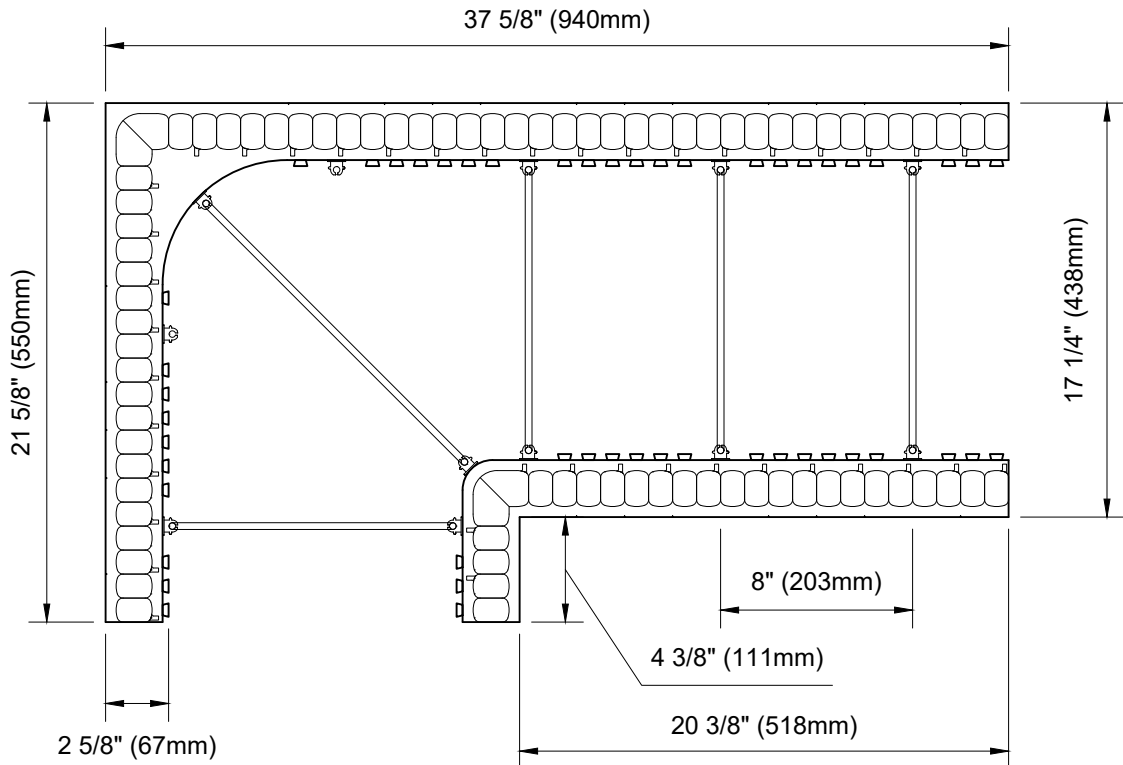
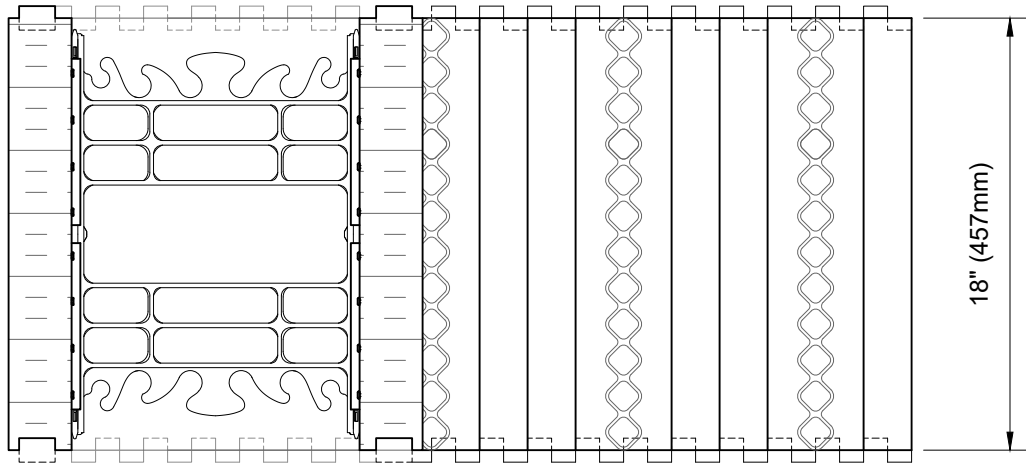
File Name:

A12A01



Construction Products Group

www.tremcocpg.com



This detail is for general informational purposes only. The project design professional determines, in its sole discretion, whether this detail or a functionally equivalent detail is best suited for the project with respect to any architecture, engineering, and design requirements, including any local building code requirements. If this document is not reviewed and the product is not approved for use by a licensed design professional, the customer agrees that the detail may contain substantive flaws requiring correction, and hereby releases Tremco CPG Inc. from any and all liability related to the design and installation of the product. This detail is subject to change without notice. Contact Tremco to ensure you have the most recent version.

Standard Form Unit Profiles

Detail: Nudura 12" (305mm) 90° Corner Form Unit			File Name:
Drawn by: TVC	Checked by: KS	Scale: 1:8	A12A02
Revision #: 05	Revised by: KAB	Date: 3/13/2024	

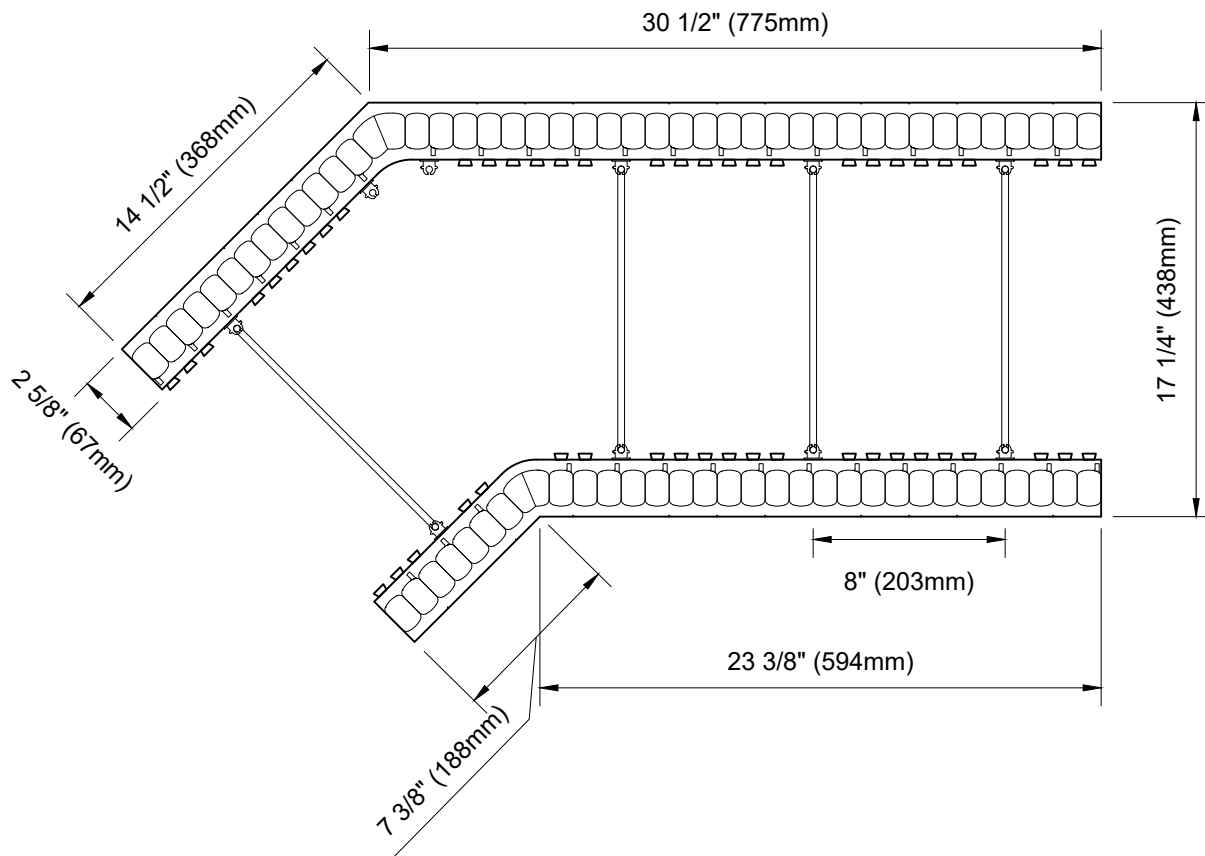
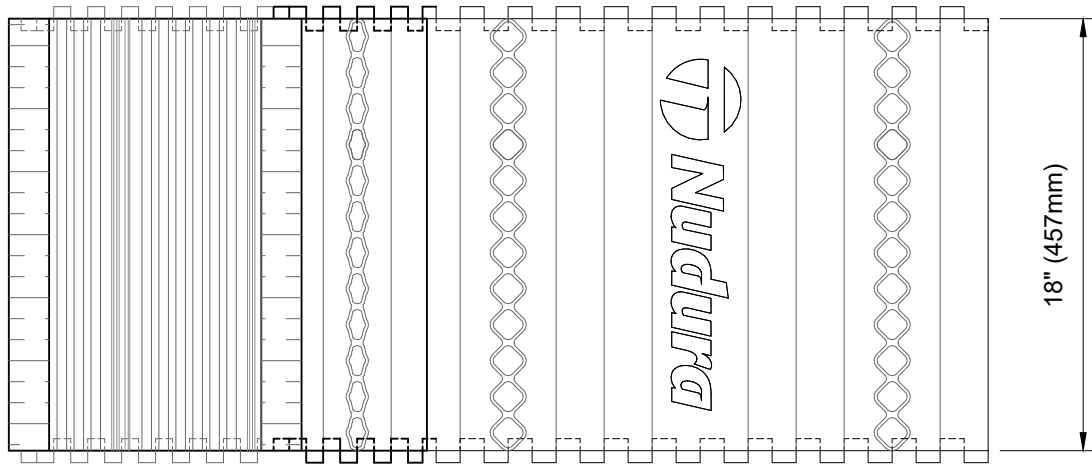


Nudura Technical Support: 866-468-6299
International: +1 705-726-9499

www.tremcocpg.com



Construction Products Group



This detail is for general informational purposes only. The project design professional determines, in its sole discretion, whether this detail or a functionally equivalent detail is best suited for the project with respect to any architecture, engineering, and design requirements, including any local building code requirements. If this document is not reviewed and the product is not approved for use by a licensed design professional, the customer agrees that the detail may contain substantive flaws requiring correction, and hereby releases Tremco CPG Inc. from any and all liability related to the design and installation of the product. This detail is subject to change without notice. Contact Tremco to ensure you have the most recent version.

Standard Form Unit Profiles



Detail: Nudura 12" (305mm) 45° Corner Form Unit

Drawn by: TVC

Checked by: KS

Scale: 1:8

Revision #: 02

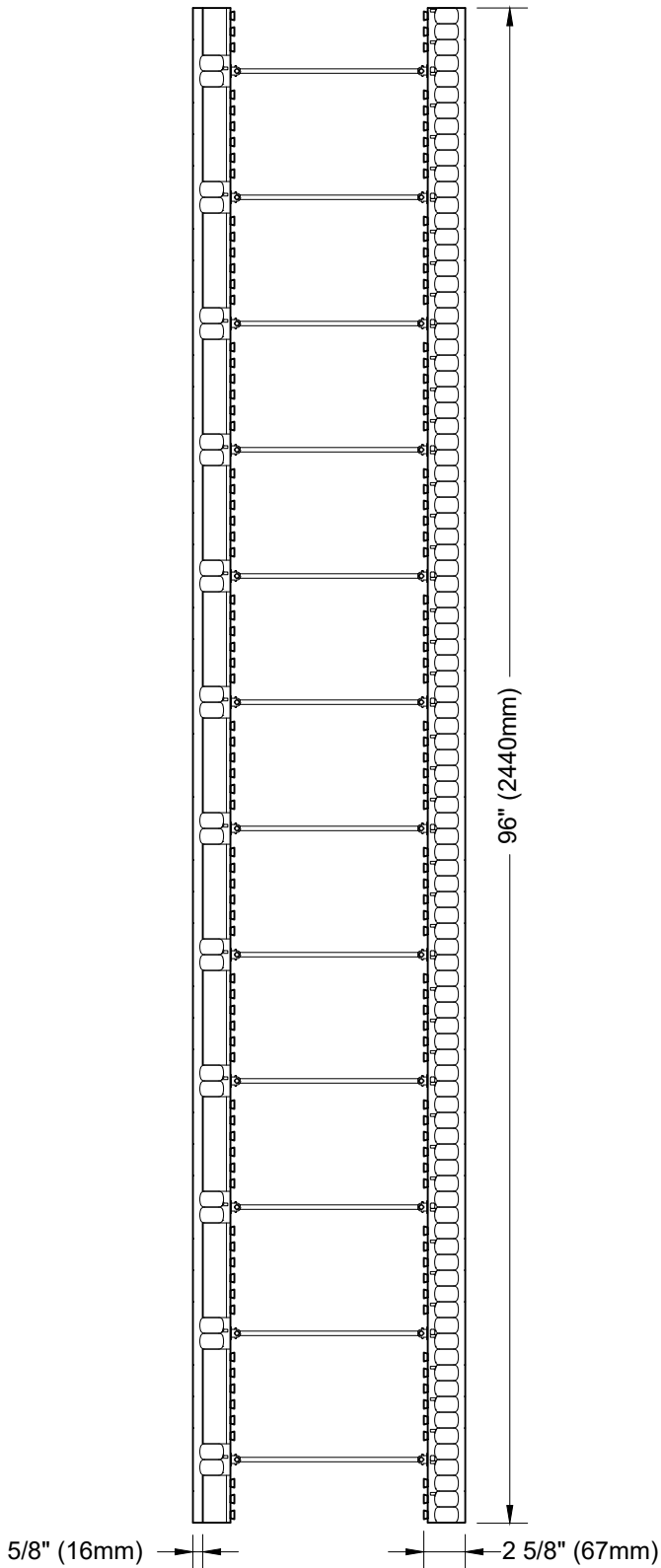
Revised by: KAB

Date: 3/13/2024

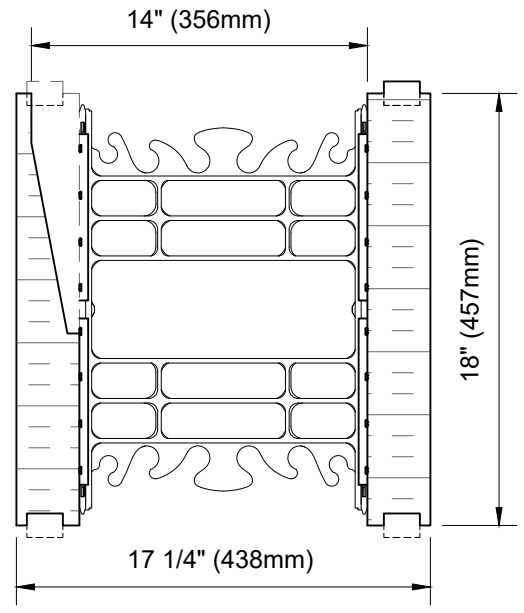
File Name:

A12A03





SCALE: 1:12



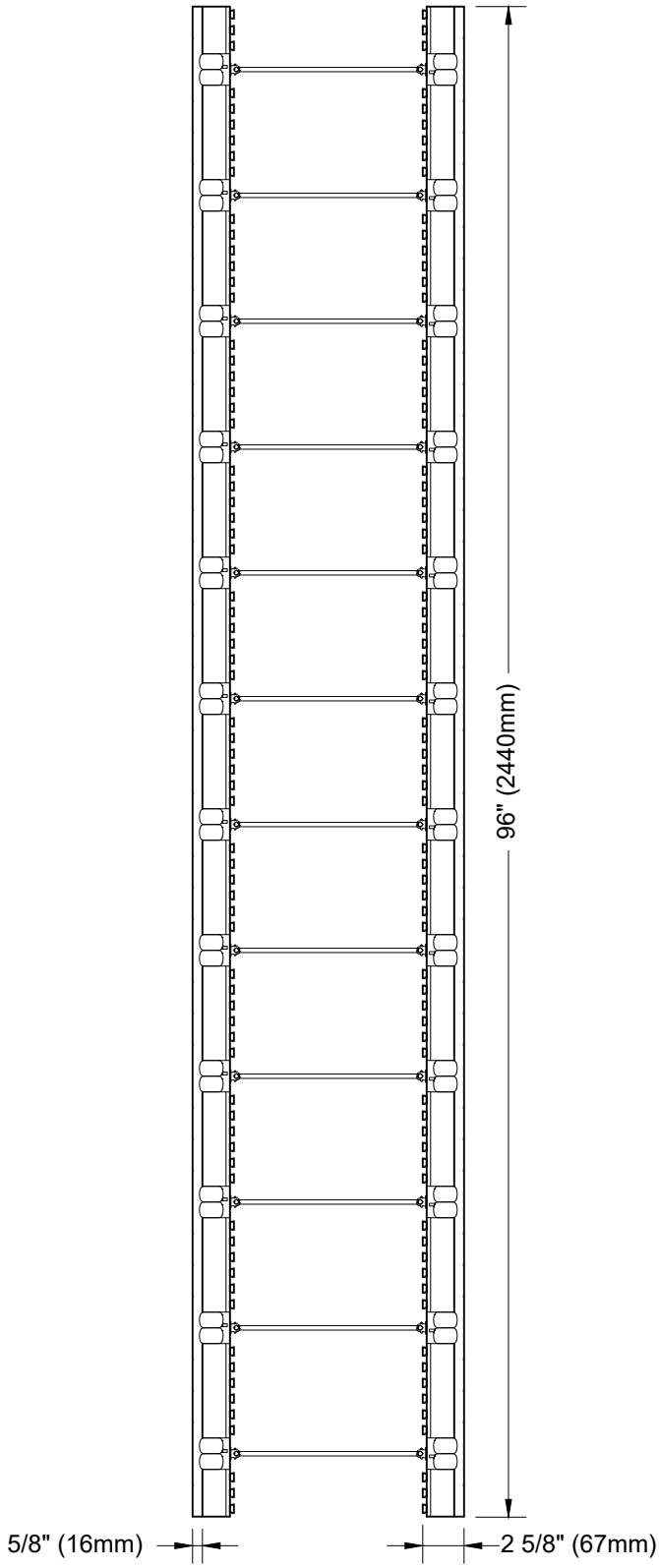
SCALE: 1:8

This detail is for general informational purposes only. The project design professional determines, in its sole discretion, whether this detail or a functionally equivalent detail is best suited for the project with respect to any architecture, engineering, and design requirements, including any local building code requirements. If this document is not reviewed and the product is not approved for use by a licensed design professional, the customer agrees that the detail may contain substantive flaws requiring correction, and hereby releases Tremco CPG Inc. from any and all liability related to the design and installation of the product. This detail is subject to change without notice. Contact Tremco to ensure you have the most recent version.

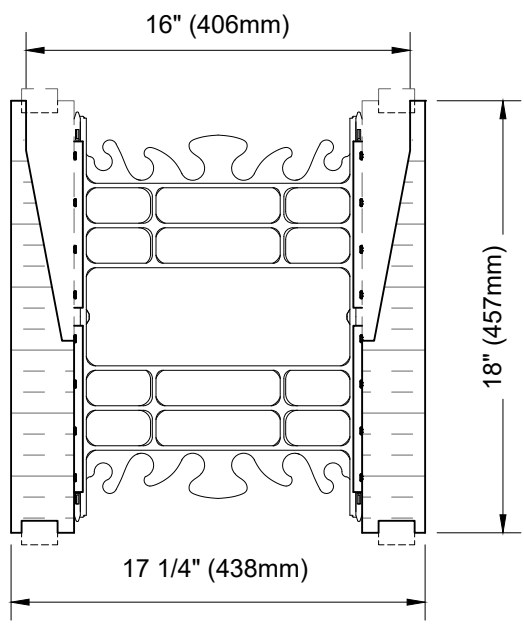
Standard Form Unit Profiles

Detail: Nudura 12" (305mm) One Sided Taper Top Form Unit			File Name:
Drawn by: TVC	Checked by: KS	Scale: As Noted	A12A04
Revision #: 04	Revised by: KAB	Date: 3/13/2024	





SCALE: 1:12



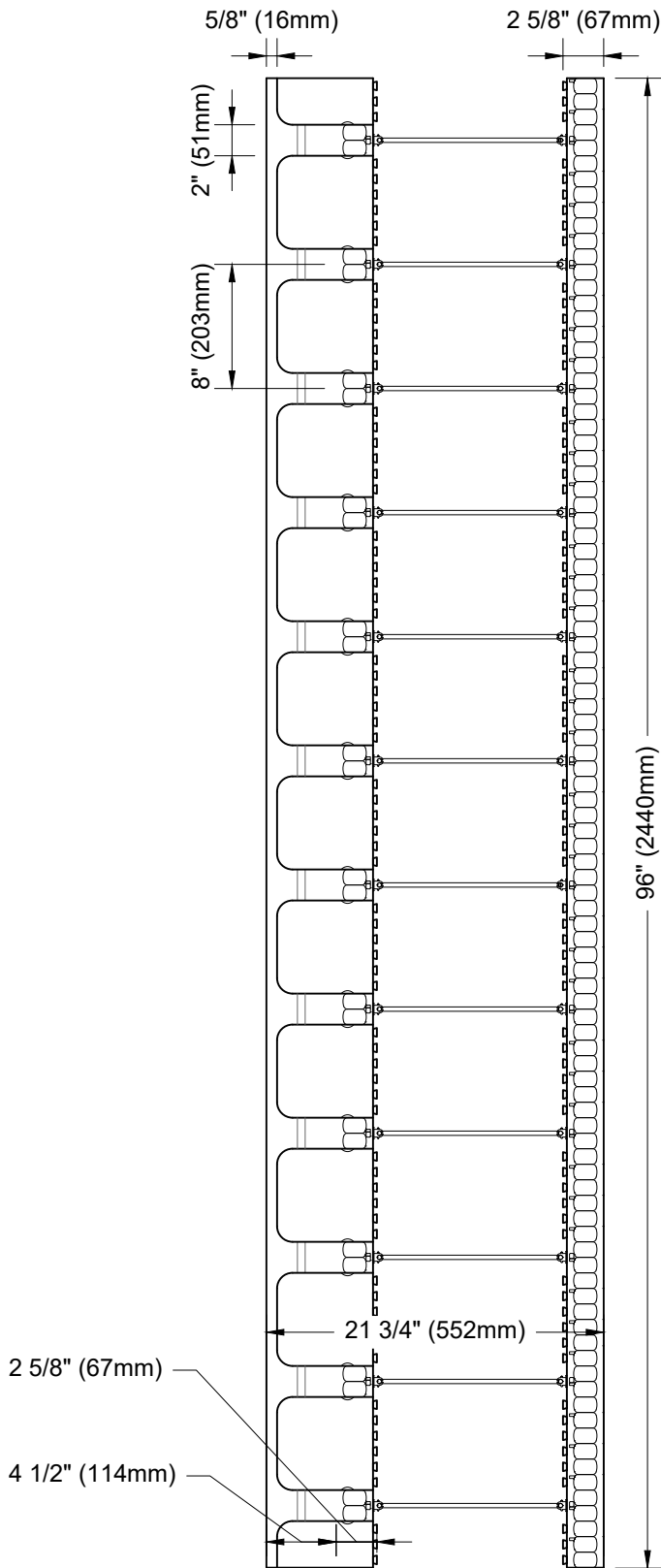
SCALE: 1:8

This detail is for general informational purposes only. The project design professional determines, in its sole discretion, whether this detail or a functionally equivalent detail is best suited for the project with respect to any architecture, engineering, and design requirements, including any local building code requirements. If this document is not reviewed and the product is not approved for use by a licensed design professional, the customer agrees that the detail may contain substantive flaws requiring correction, and hereby releases Tremco CPG Inc. from any and all liability related to the design and installation of the product. This detail is subject to change without notice. Contact Tremco to ensure you have the most recent version.

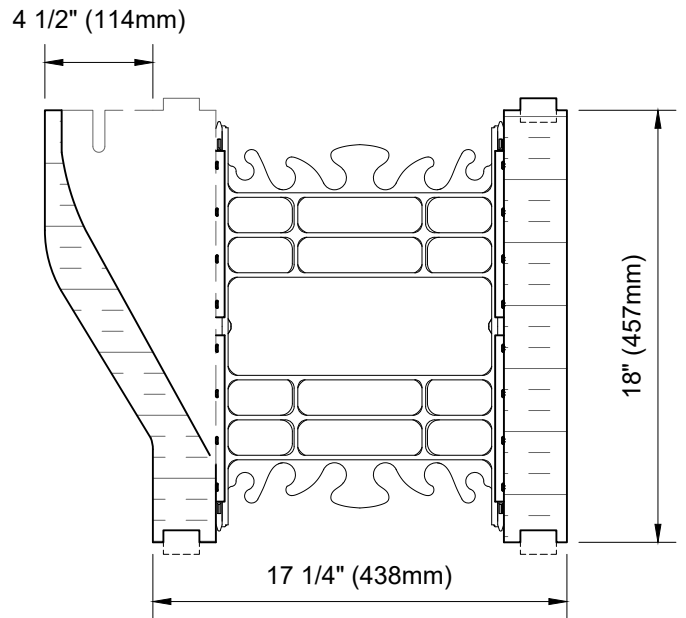
Standard Form Unit Profiles

Detail: Nudura 12" (305mm) Two Sided Taper Top Form Unit			File Name:
Drawn by: TVC	Checked by: KS	Scale: As Noted	A12A05
Revision #: 04	Revised by: KAB	Date: 3/13/2024	





SCALE: 1:12



SCALE: 1:8

This detail is for general informational purposes only. The project design professional determines, in its sole discretion, whether this detail or a functionally equivalent detail is best suited for the project with respect to any architecture, engineering, and design requirements, including any local building code requirements. If this document is not reviewed and the product is not approved for use by a licensed design professional, the customer agrees that the detail may contain substantive flaws requiring correction, and hereby releases Tremco CPG Inc. from any and all liability related to the design and installation of the product. This detail is subject to change without notice. Contact Tremco to ensure you have the most recent version.

Standard Form Unit Profiles



Nudura Technical Support: 866-468-6299
International: +1 705-726-9499

Detail: Nudura 12" (305mm) One Sided Brick Ledge Form Unit

Drawn by: TVC

Checked by: KS

Scale: As Noted

Revision #: 04

Revised by: KAB

Date: 3/13/2024

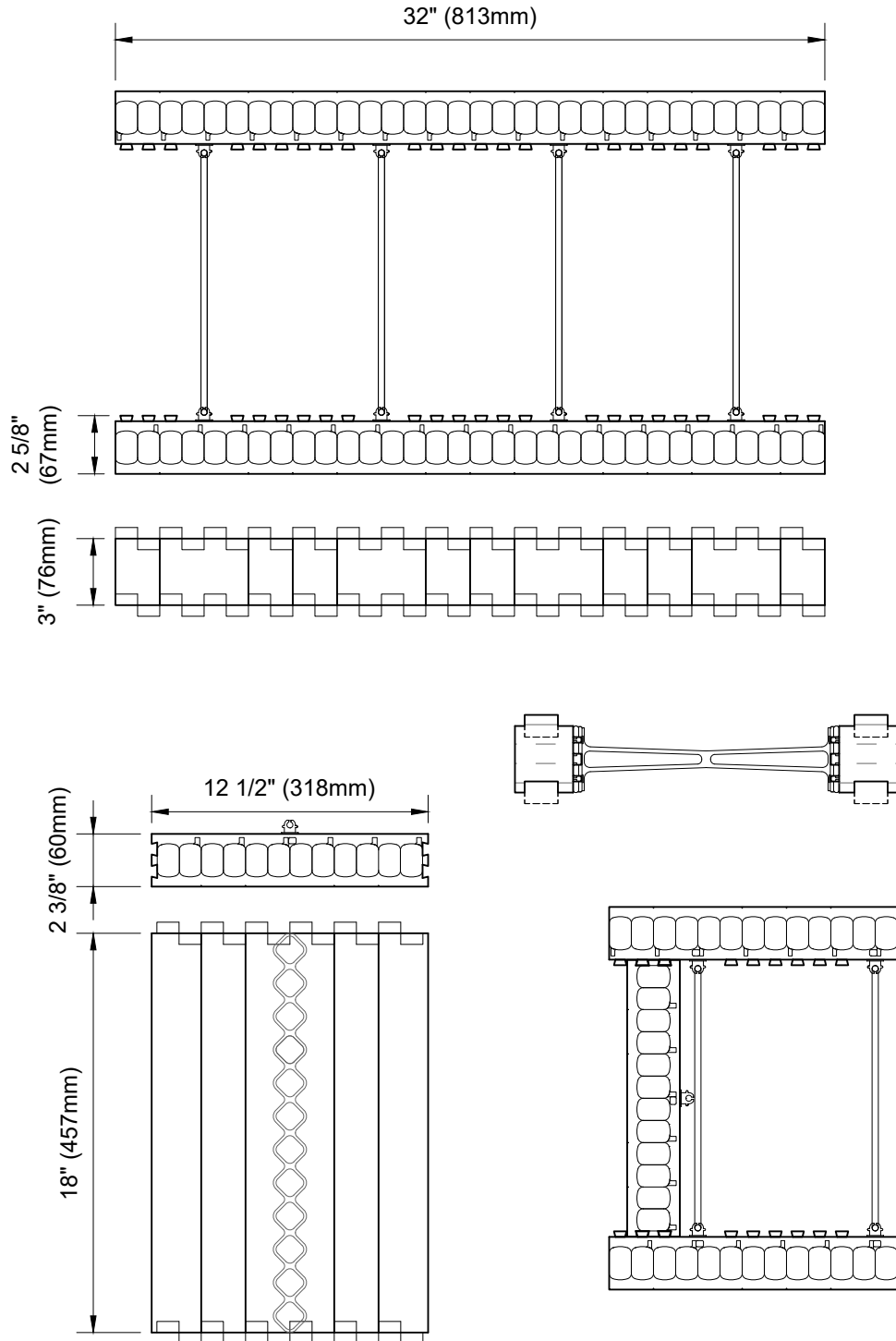
File Name:

A12A06



Construction Products Group

www.tremcocpg.com



This detail is for general informational purposes only. The project design professional determines, in its sole discretion, whether this detail or a functionally equivalent detail is best suited for the project with respect to any architecture, engineering, and design requirements, including any local building code requirements. If this document is not reviewed and the product is not approved for use by a licensed design professional, the customer agrees that the detail may contain substantive flaws requiring correction, and hereby releases Tremco CPG Inc. from any and all liability related to the design and installation of the product. This detail is subject to change without notice. Contact Tremco to ensure you have the most recent version.

Standard Form Unit Profiles

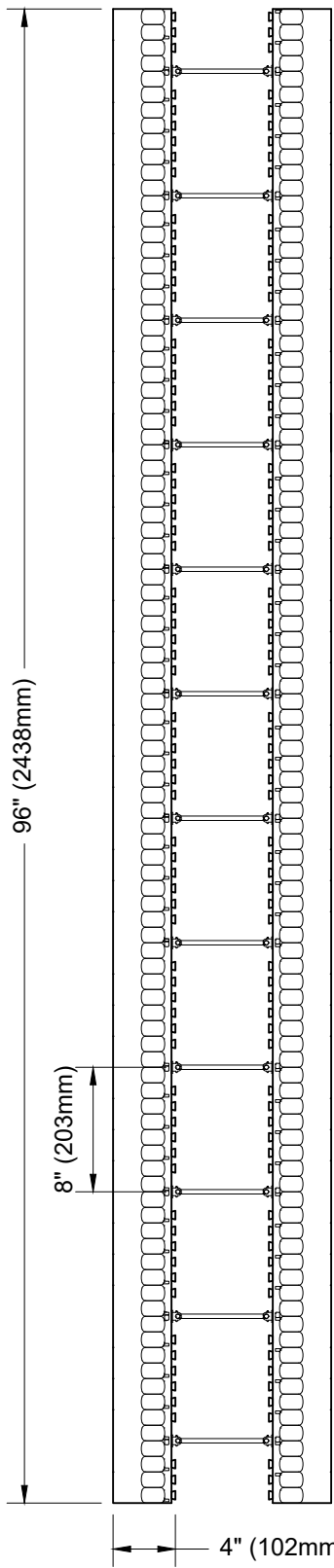
Detail: Nudura 12" (305mm) End Cap and Height Adjuster			File Name:
Drawn by: TVC	Checked by: KS	Scale: 1:8	A12A08
Revision #: 02	Revised by: KAB	Date: 3/13/2024	



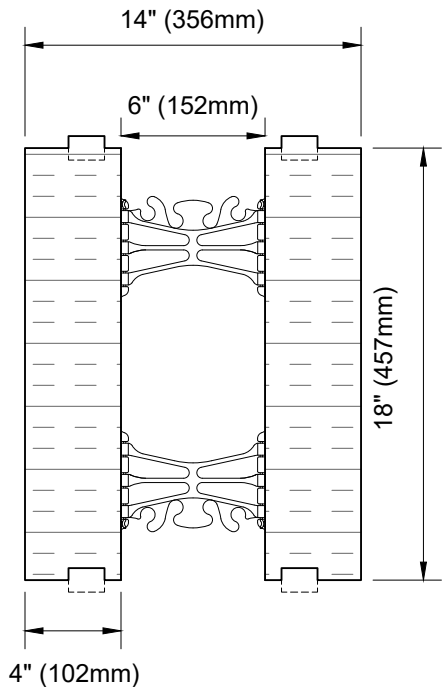
Nudura Technical Support: 866-468-6299
International: +1 705-726-9499

www.tremcocpg.com





SCALE: 1:12



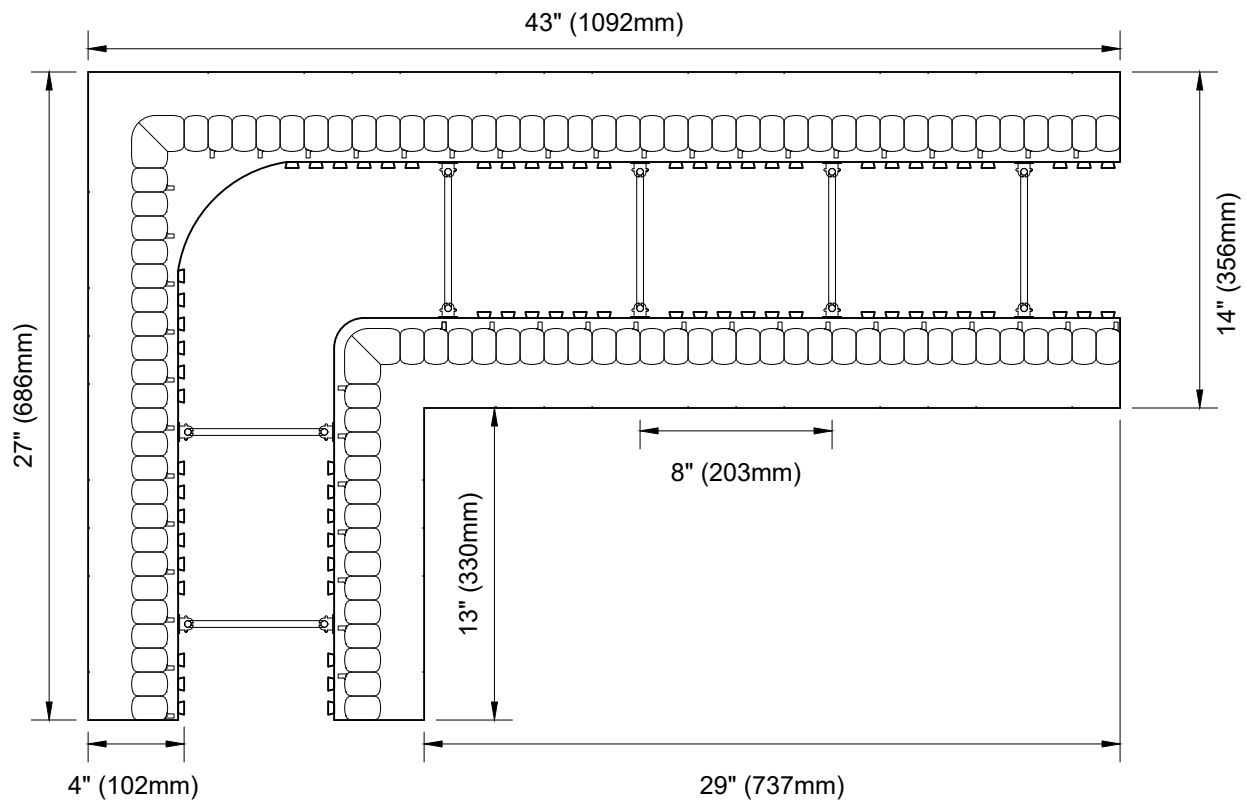
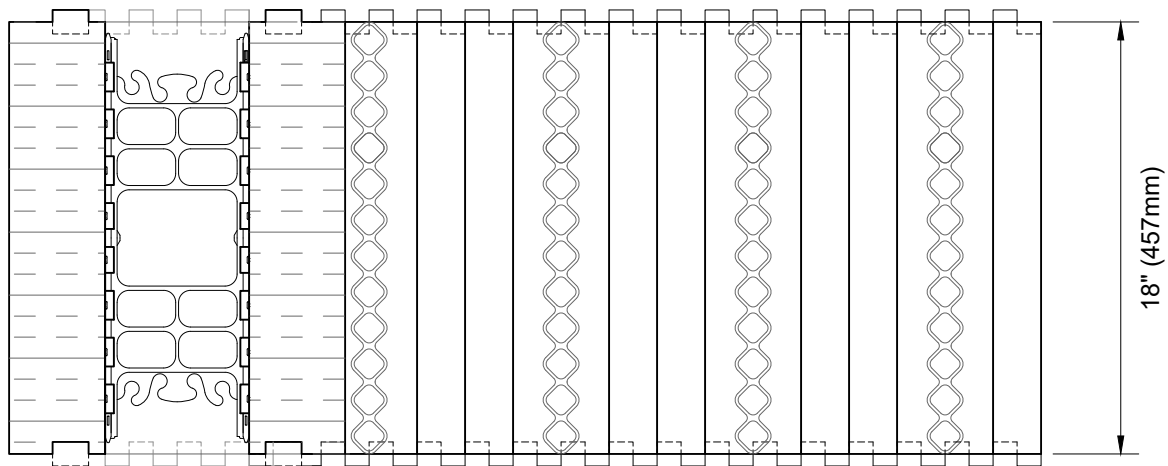
SCALE: 1:8

This detail is for general informational purposes only. The project design professional determines, in its sole discretion, whether this detail or a functionally equivalent detail is best suited for the project with respect to any architecture, engineering, and design requirements, including any local building code requirements. If this document is not reviewed and the product is not approved for use by a licensed design professional, the customer agrees that the detail may contain substantive flaws requiring correction, and hereby releases Tremco CPG Inc. from any and all liability related to the design and installation of the product. This detail is subject to change without notice. Contact Tremco to ensure you have the most recent version.

Plus Series Form Unit Profiles

Detail: Nudura XR35 6" (152mm) Standard Form Unit			File Name:
Drawn by: KS	Checked by: KS	Scale: As Noted	XR6A01
Revision #: 01	Revised by: KAB	Date: 3/13/2024	





This detail is for general informational purposes only. The project design professional determines, in its sole discretion, whether this detail or a functionally equivalent detail is best suited for the project with respect to any architecture, engineering, and design requirements, including any local building code requirements. If this document is not reviewed and the product is not approved for use by a licensed design professional, the customer agrees that the detail may contain substantive flaws requiring correction, and hereby releases Tremco CPG Inc. from any and all liability related to the design and installation of the product. This detail is subject to change without notice. Contact Tremco to ensure you have the most recent version.

Plus Series Form Unit Profiles



Nudura Technical Support: 866-468-6299
International: +1 705-726-9499

Detail: Nudura XR35 6" (152mm) 90° Corner Form

Drawn by: KS

Checked by: KS

Scale: 1:8

Revision #: 01

Revised by: KAB

Date: 3/13/2024

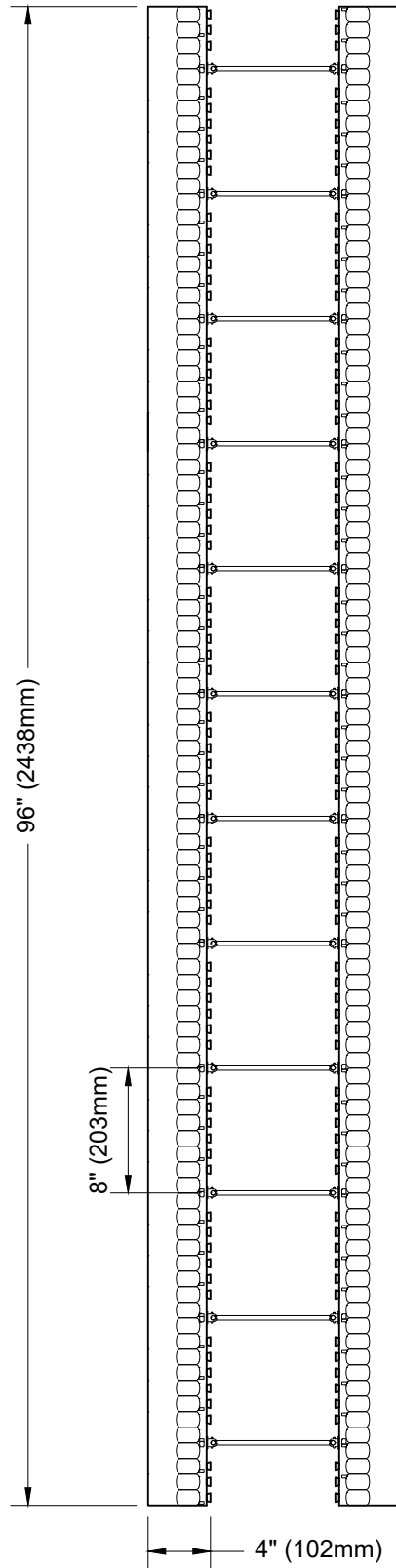
File Name:

XR6A02

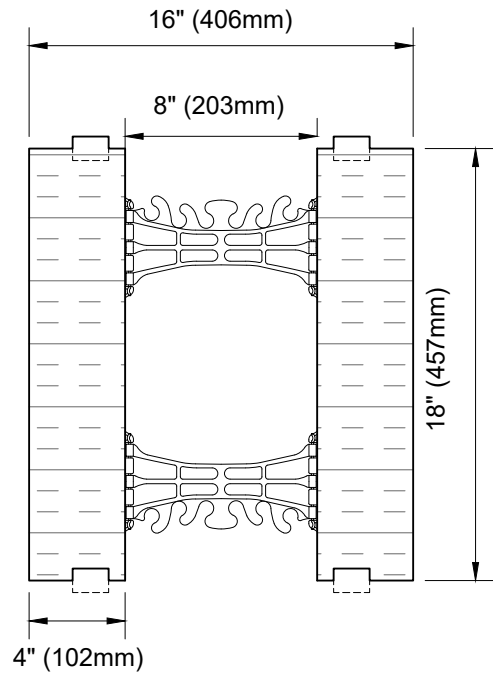


Construction Products Group

www.tremcocpg.com



SCALE: 1:12



SCALE: 1:8

This detail is for general informational purposes only. The project design professional determines, in its sole discretion, whether this detail or a functionally equivalent detail is best suited for the project with respect to any architecture, engineering, and design requirements, including any local building code requirements. If this document is not reviewed and the product is not approved for use by a licensed design professional, the customer agrees that the detail may contain substantive flaws requiring correction, and hereby releases Tremco CPG Inc. from any and all liability related to the design and installation of the product. This detail is subject to change without notice. Contact Tremco to ensure you have the most recent version.

Plus Series Form Unit Profiles



Nudura Technical Support: 866-468-6299
International: +1 705-726-9499

Detail: Nudura XR35 8" (203mm) Standard Form Unit

Drawn by: KS

Checked by: KS

Scale: As Noted

Revision #: 01

Revised by: KAB

Date: 3/13/2024

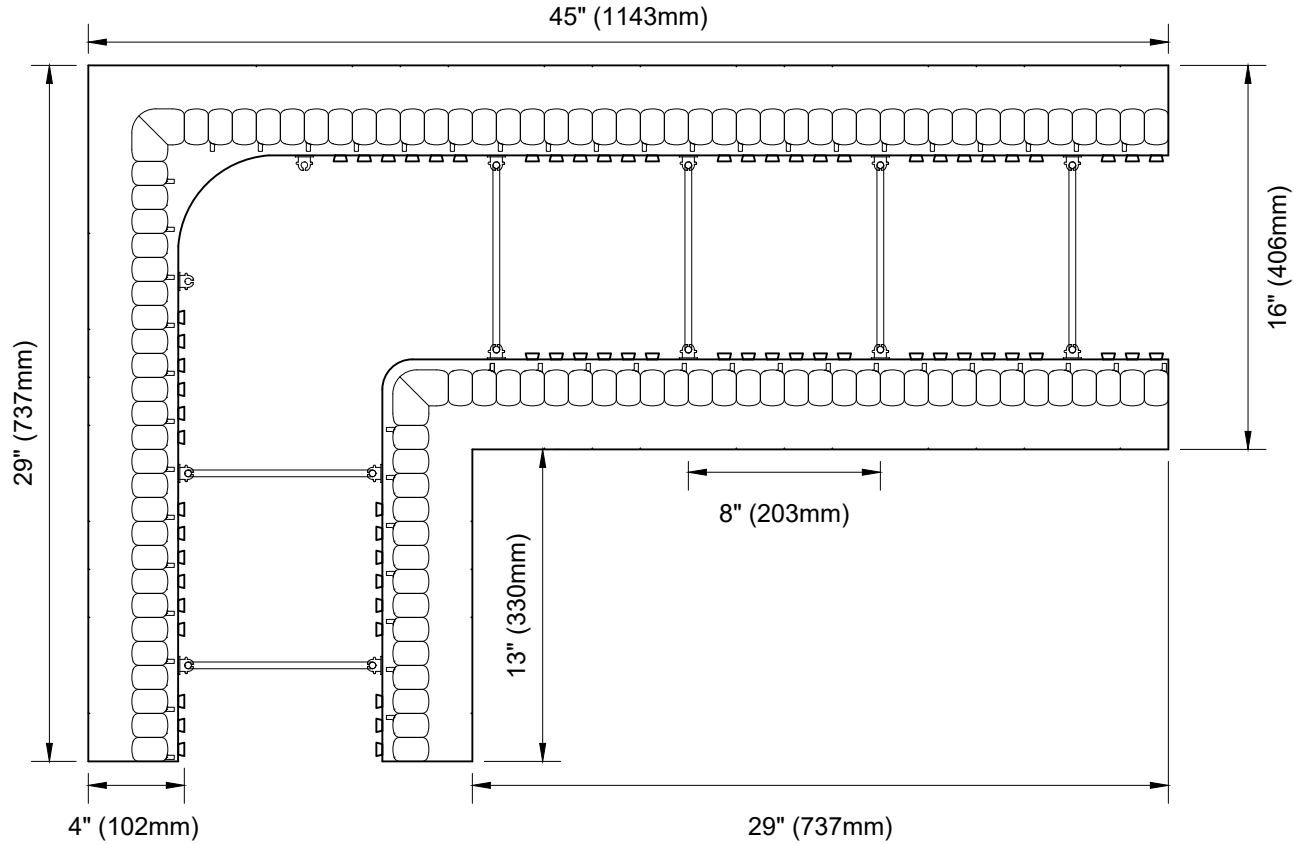
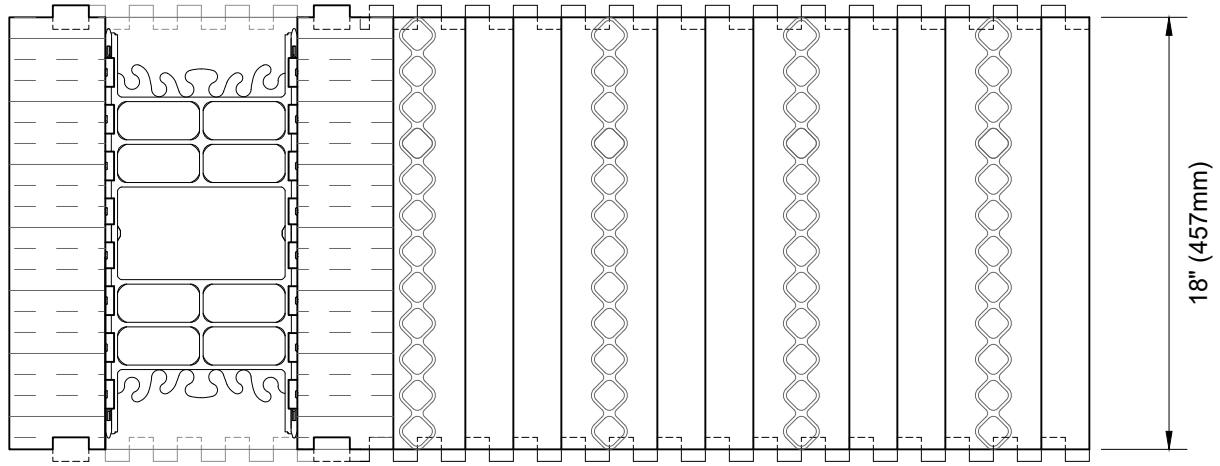
File Name:

XR8A01



Construction Products Group

www.tremcocpg.com



This detail is for general informational purposes only. The project design professional determines, in its sole discretion, whether this detail or a functionally equivalent detail is best suited for the project with respect to any architecture, engineering, and design requirements, including any local building code requirements. If this document is not reviewed and the product is not approved for use by a licensed design professional, the customer agrees that the detail may contain substantive flaws requiring correction, and hereby releases Tremco CPG Inc. from any and all liability related to the design and installation of the product. This detail is subject to change without notice. Contact Tremco to ensure you have the most recent version.

Plus Series Form Unit Profiles



Nudura Technical Support: 866-468-6299
International: +1 705-726-9499

Detail: Nudura XR35 8" (203mm) 90° Corner Form

Drawn by: KS

Checked by: KS

Scale: 1:8

Revision #: 01

Revised by: KAB

Date: 3/13/2024

File Name:

XR8A02



Construction Products Group

www.tremcocpg.com